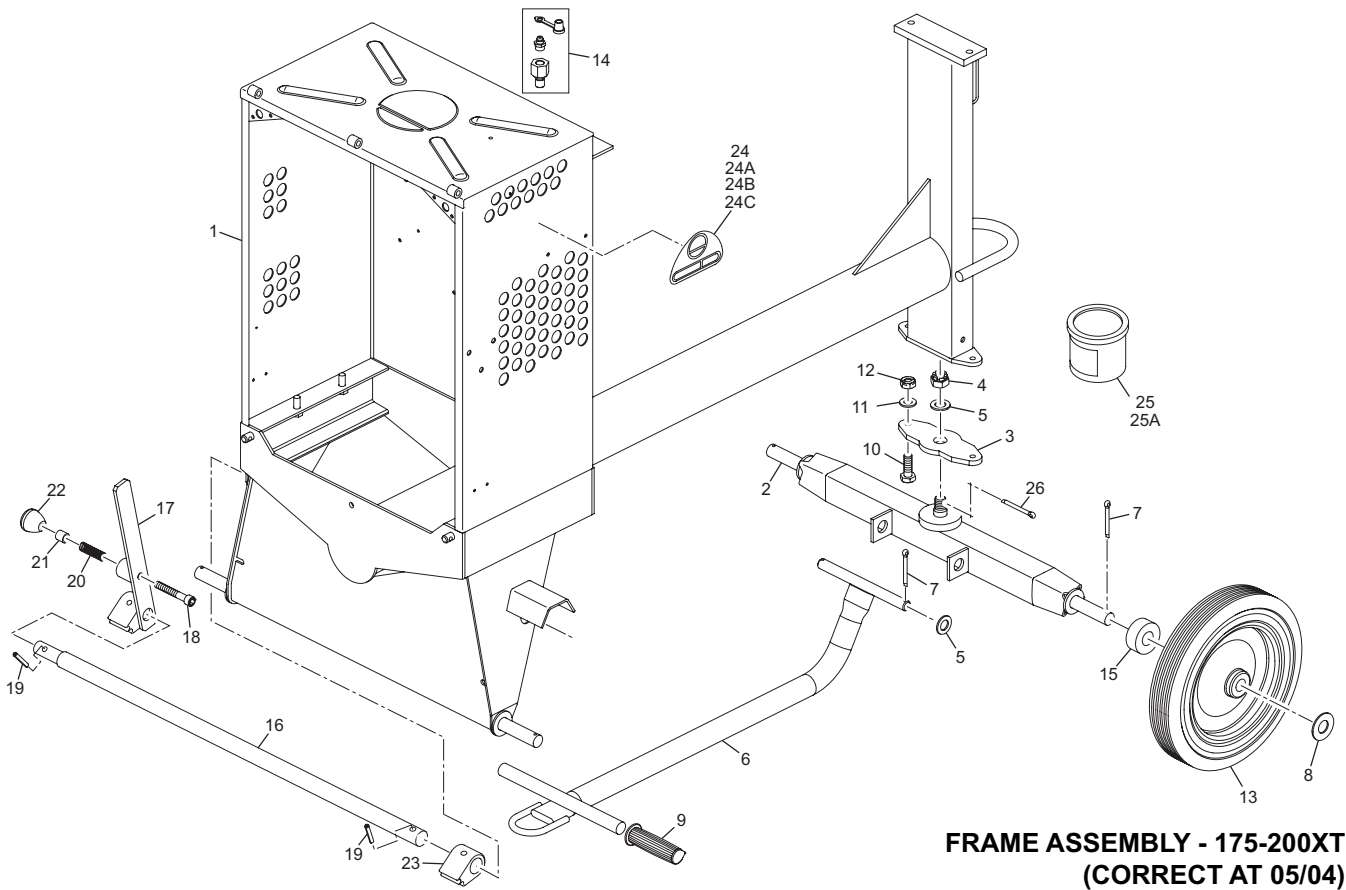


**FRAME ASSEMBLY - 100-150XT
(CORRECT AT 05/04)**

Frame Assembly - 100-150XT **1-01**

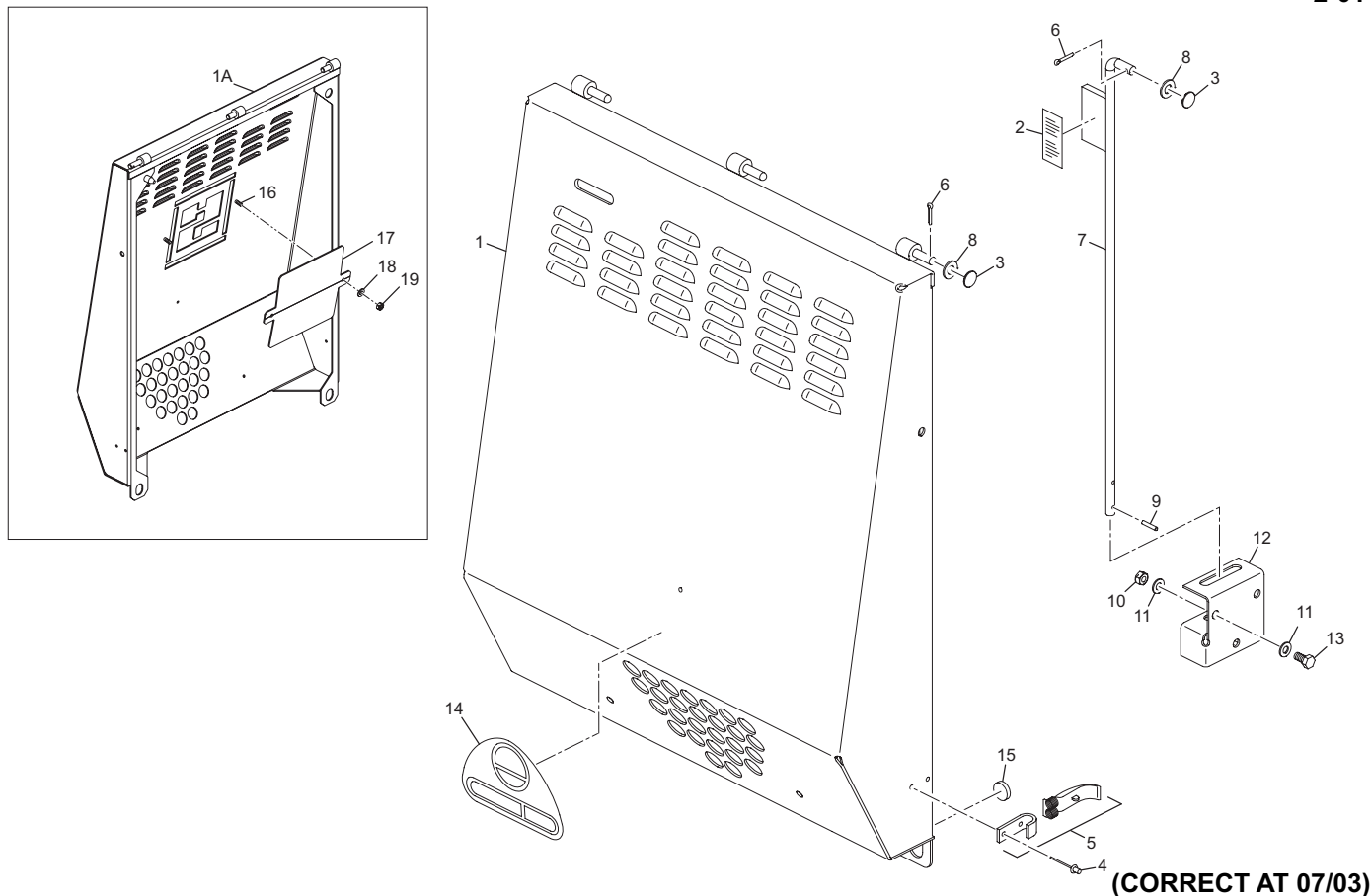
- 1 909/11200..... 1 Frame (100/150XT)
- 2 909/12300..... 1 Axle
- 3
- 4 8/20002..... 1 Nut (M20)
- 5 4/2001..... 3 Washer (M20)
- 6 909/11100 1 Towbar
- 7 3/0006..... 6 Split Pin
- 8 4/0009..... 4 Washer (M26)
- 9 XS35 2 Handle Grip
- 10
- 11
- 12
- 13 60/0284..... 4 Wheel
- 14 909/20000..... 1 Grease Nipple Assembly (→ June'04)
- 15 909/99996..... 4 Spacer
- 16 909/17402..... 1 Brake Bar
- 17 909/99998..... 1 Lever
- 18 7/10015..... 1 Screw (M10x65)
- 19 3/0044..... 2 Spirol Pin
- 20 2/0027..... 1 Spring
- 21 909/99997..... 1 Spacer
- 22 74/0001..... 1 Knob
- 23 909/17401..... 1 Brake Cam
- 24 800/23401..... 1 Decal Kit (100XT)
- 24A 800/22700..... 1 Decal Kit (150XT)
- 24B 800/22800..... 1 Decal Kit (175XT)
- 24C 800/22900..... 1 Decal Kit (200XT)
- 25 1/0519..... A/R Orange Paint (Tin)
- 25A 1/0507..... A/R Orange Paint (Spray)
- 26 3/0049..... 1 Split Pin
- 27 3/4034..... 1 Cap



**FRAME ASSEMBLY - 175-200XT
(CORRECT AT 05/04)**

Frame Assembly - 175-200XT

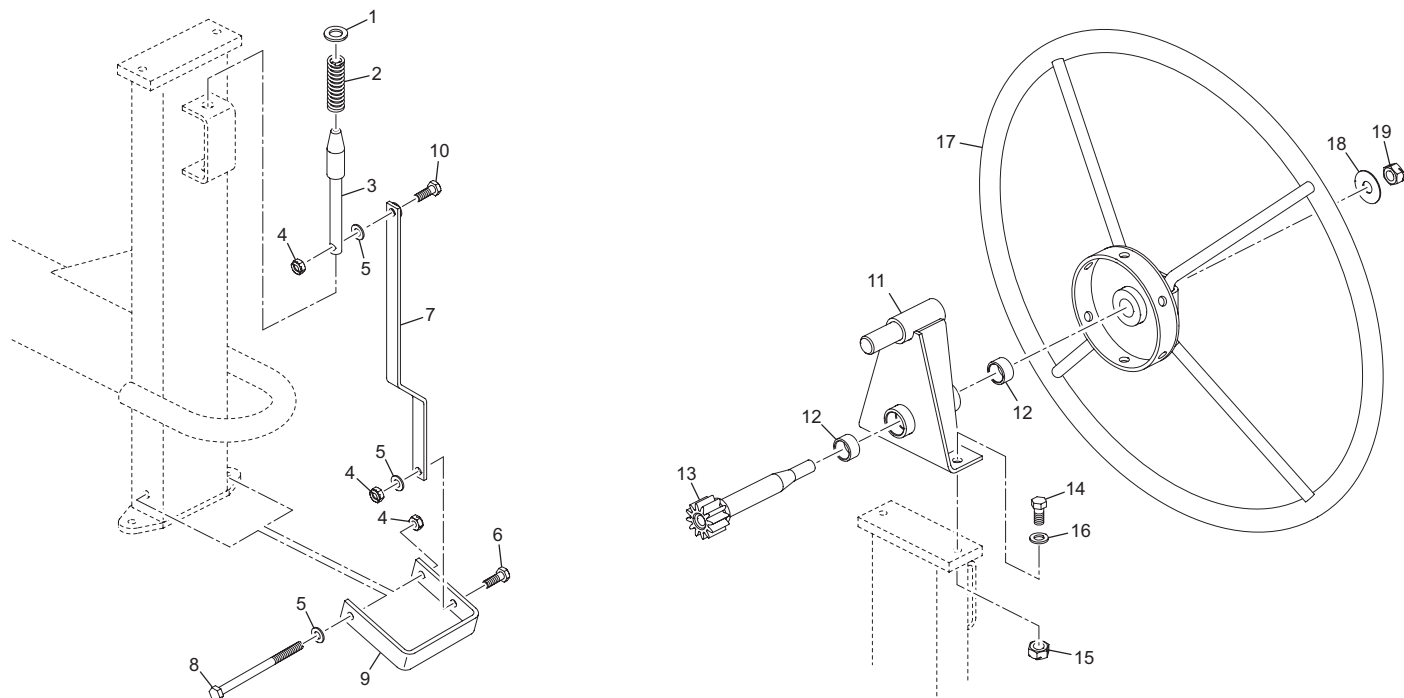
1	909/11600	1	Frame (175/200XT)
2	909/12300	1	Axle
3	909/99935	1	Plate
4	8/20002	1	Nut (M20)
5	4/2001	3	Washer (M20)
6	909/11100	1	Towbar
7	3/0006	6	Split Pin
8	4/0009	4	Washer (M26)
9	XS35	2	Handle Grip
10	7/10010	2	Screw (M10x30)
11	4/1005	2	Washer (M10)
12	8/10001	2	Nut (M10)
13	60/0284	4	Wheel
14	909/20000	1	Grease Nipple Assembly (→ June'04)
15	909/99996	4	Spacer
16	909/17402	1	Brake Bar
17	909/99998	1	Lever
18	7/10015	1	Screw (M10x65)
19	3/0044	2	Spirol Pin
20	2/0027	1	Spring
21	909/99997	1	Spacer
22	74/0001	1	Knob
23	909/17401	1	Brake Cam
24	800/22600	1	Decal Kit (100XT)
24A	800/22700	1	Decal Kit (150XT)
24B	800/22800	1	Decal Kit (175XT)
24C	800/22900	1	Decal Kit (200XT)
25	1/0519	A/R	Orange Paint (Tin)
25A	1/0507	A/R	Orange Paint (Spray)
26	3/0049	1	Split Pin



(CORRECT AT 07/03)

Door Assembly

- 1 909/10400..... 1 Cover
- 1A 909/19700..... 1 Hewden Rear Door Assembly
- 2 800/99903..... 1 Decal
- 3 PS071 2 Cap
- 4 3/0008 8 Rivet
- 5 908/10700..... 2 Catch
- 6 3/0003 2 Split Pin
- 7 909/17600..... 1 Door Stay
- 8 4/10001..... 2 Washer (M10)
- 9 3/0013 2 Spirol Pin
- 10 8/8002..... 3 Nut (M8)
- 11 4/8006..... 6 Washer (M8)
- 12 909/99959..... 1 Bracket
- 13 7/8008..... 3 Screw (M8x16)
- 14 1-01 & 1-02 (Item 24)
- 15 3/3000..... 2 Pad
- 16 915/00131..... 2 Stud
- 17 909/99806 1 Infil Plate
- 18 4/8006..... 2 Washer (M8)
- 19 8/8002..... 2 Nut (M8)

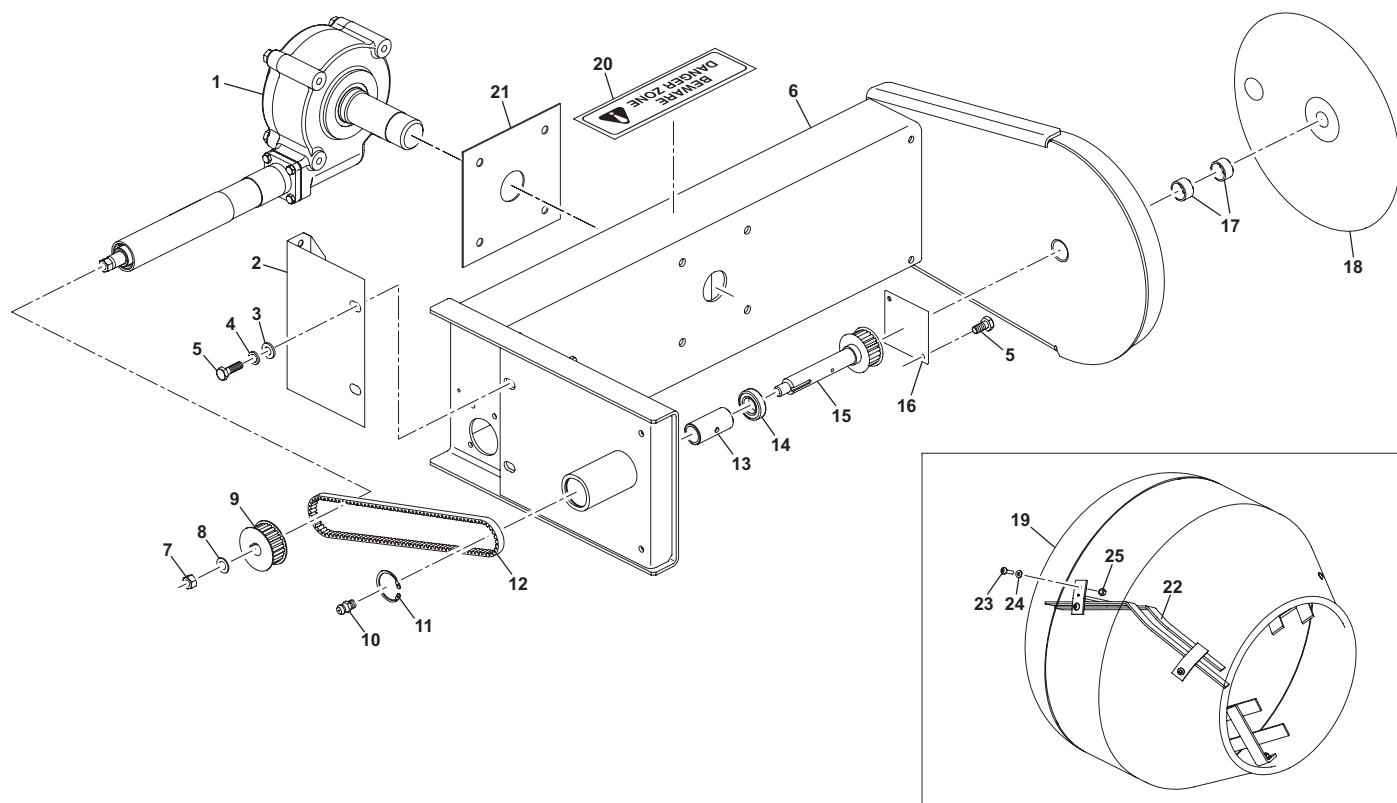


(CORRECT AT 07/03)

Wheel Assembly

3-01

1	4/1601	1	Washer (M16)
2	2/0029	1	Spring
3	909/99910	1	Plunger
4	8/10001	3	Nut (M10)
5	4/1005	7	Washer (M10)
6	7/10010	1	Screw (M10x30)
7	909/99926	1	Plunger Link
8	9/10015	1	Bolt (M10x150)
9	909/99929	1	Foot Pedal
10	9/10004	1	Bolt (M10x35)
11	909/14800	1	Pivot
12	50/000016	2	Composite Bush
13	909/14900	1	Tip Gear
14	7/12013	2	Screw (M12x35)
15	8/12001	2	Nut (M12)
16	4/1204	4	Washer (M12)
17	909/10500	1	Hand Wheel
18	4/1607	1	Washer (M16)
19	8/16003	1	Nut (M16)

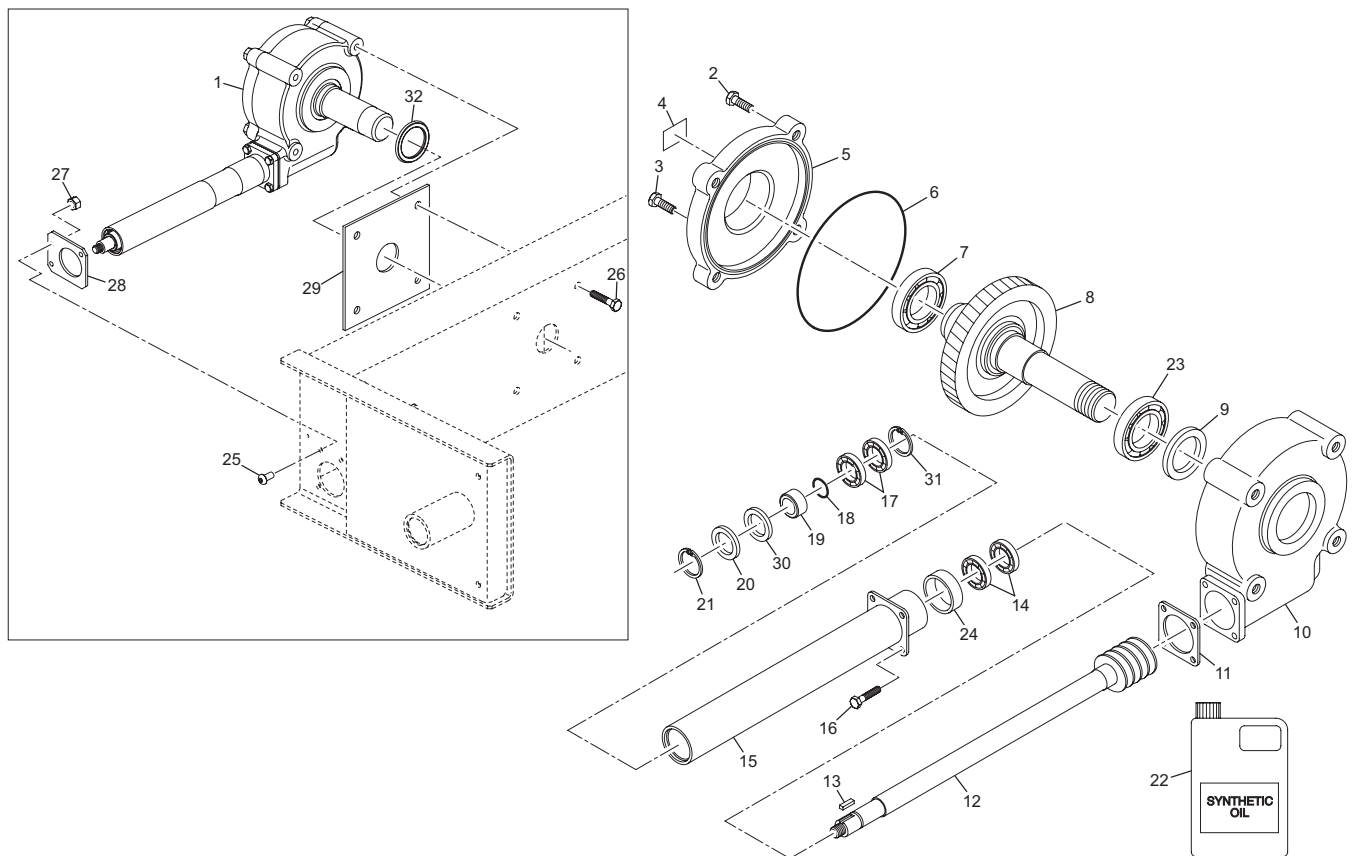


(CORRECT AT 05/04)

Yoke Assembly

4-01

1	☞ 5-01	1	Gearbox	24	4/1201	9	Washer (M12)
2	909/99942	1	Guard	25	8/12001	9	Nut (M12)
3							
4							
5	7/6032	5	Screw (M6x12)				
6	909/10700	1	Yoke (100/150XT)				
6A	909/12200	1	Yoke (175/200XT)				
7	8/12003	1	Nut (M12)				
8	4/1205	1	Washer (M12)				
9	908/15700	1	Pulley (→ May'04)				
9A	909/99807	1	Pulley (↗ May'04)				
10	500/06100	1	Grease Nipple				
11	PS022	1	Circlip				
12	908/15500	1	Drive Belt (→ May'04)				
12A	21/0163	1	Drive Belt (↗ May'04)				
13	909/99932	1	Spacer				
14	PS074	2	Bearing				
15	909/13100	1	Layshaft (→ May'04)				
15A	909/19900	1	Layshaft (↗ May'04)				
16	908/15900	1	Cover				
17	50/000016	2	Bush				
18	908/21200	1	Cover				
19	909/18300	1	Drum (c/w Paddles) (100XT)				
19A	909/18400	1	Drum (c/w Paddles) (150XT)				
19B	909/18500	1	Drum (c/w Paddles) (175XT)				
19C	909/18600	1	Drum (c/w Paddles) (200XT)				
20	800/10441	2	Decal Danger Zone				
21	☞ 5-01	1	Plate				
22	909/19100	1	Paddle Kit (100XT) (↗ July'02)				
22A	909/19200	3	Paddle Kit (150XT) (↗ July'02)				
22B	909/19300	3	Paddle Kit (175XT) (↗ Oct'02)				
22C	909/19400	3	Paddle Kit (200XT) (↗ Aug'02)				
23	7/12017	9	Screw (M12 x 30)				

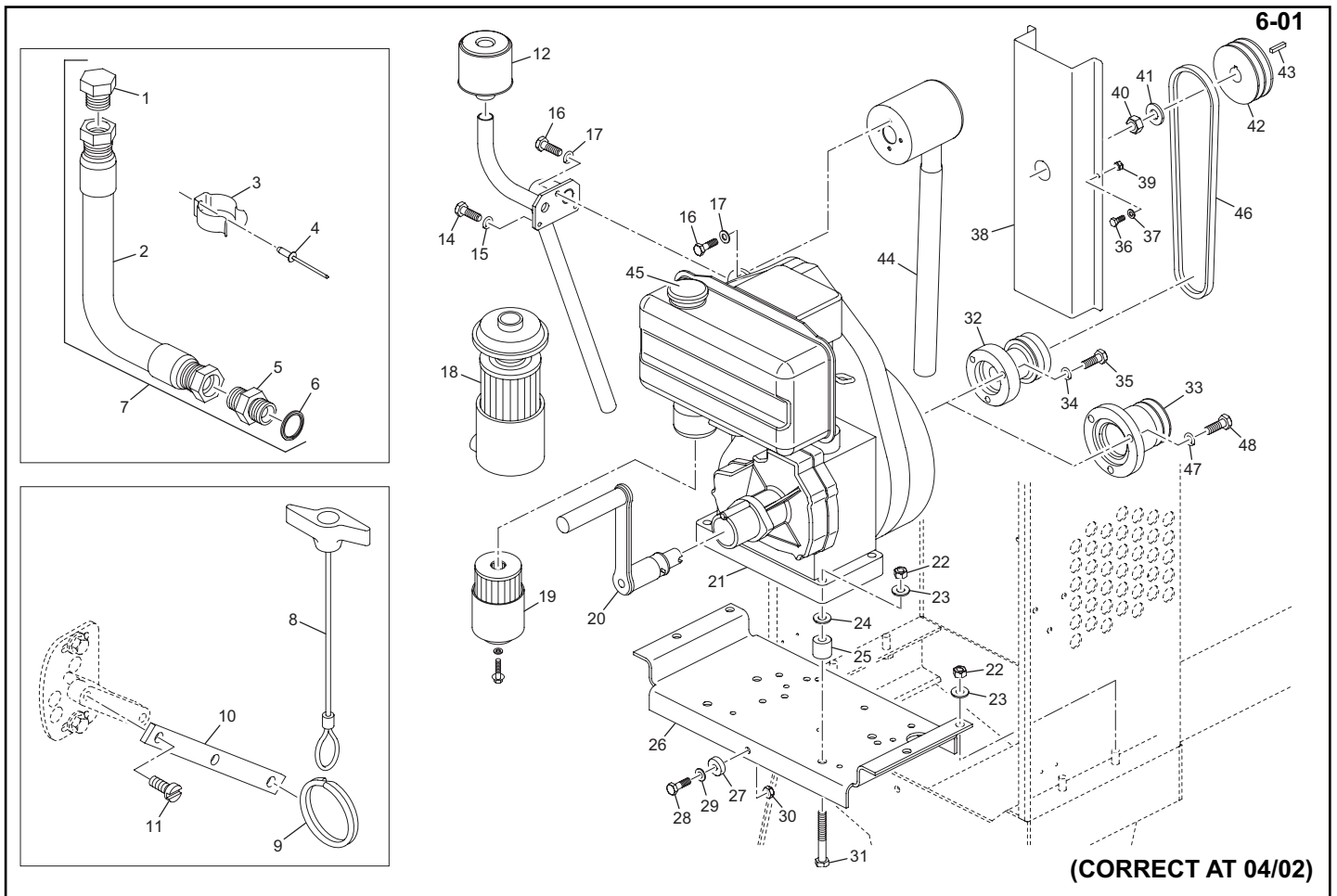


(CORRECT AT 09/05)

Gearbox Assembly

5-01

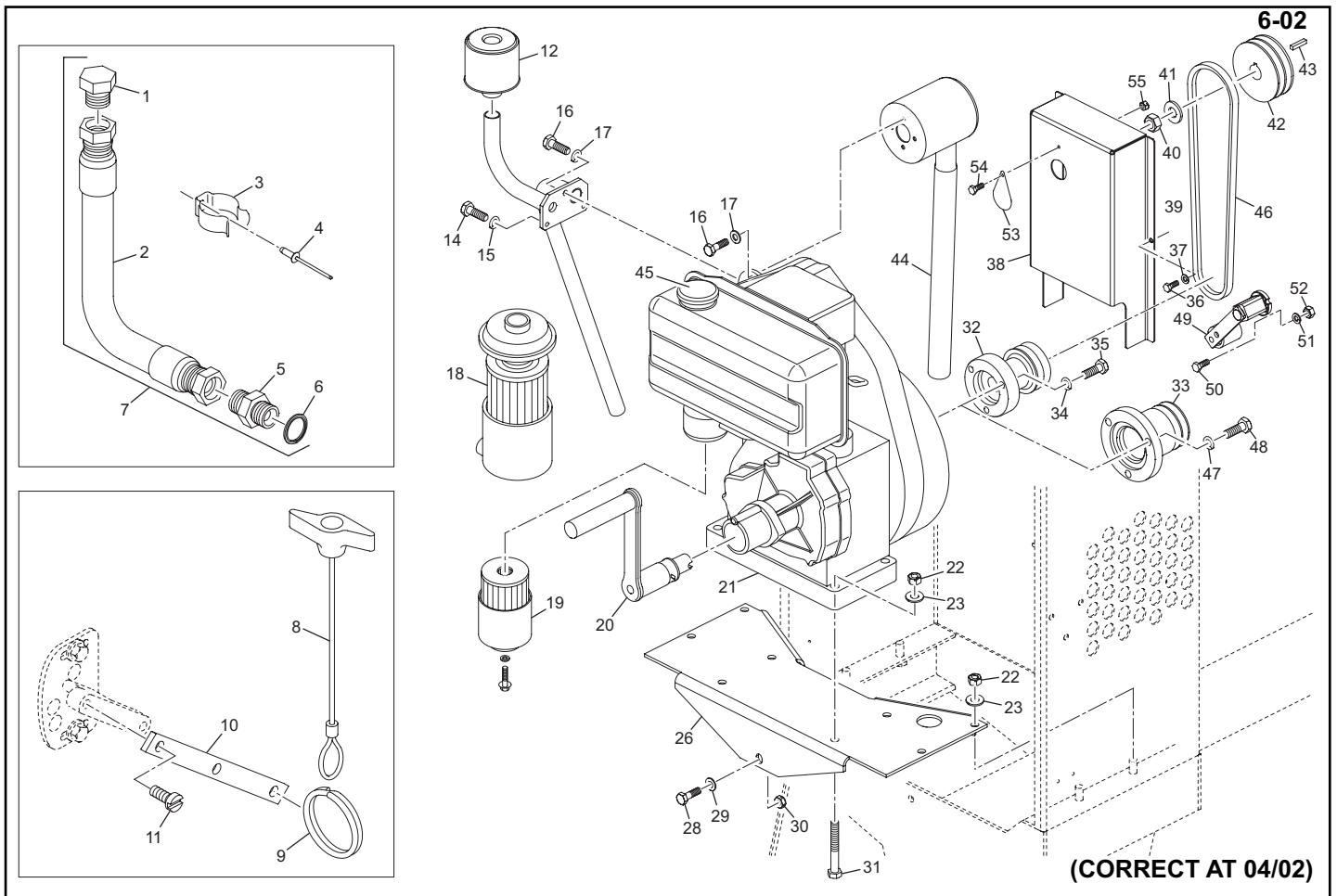
1	909/16100.....1Gearbox Assy (100/150XT) (→ PM40005925)	29	909/99995.....1Plate
1A	909/13000.....1Gearbox Assy (175/200XT) (→ PM40005925)	30	909/12903.....1Spacer
1B	909/20300.....1Gearbox Assy (100/150XT) (→ PM40005926)	31	3/9003.....1Circlip
1C	909/20200.....1Gearbox Assy (175/200XT) (→ PM40005926)	32	5/0067.....1Seal
2	7/12014.....4Bolt (M12x40)			
3	XS01.....1Bung			
4	908/14100.....1Decal			
5	PS111.....1Cover			
6	5/0022.....1Seal			
7	PS002.....1Bearing			
8	909/17300.....1Mainshaft			
9	5/0044.....1Seal			
10	909/13001.....1Case			
11	5/0043.....1Gasket			
12	909/15000.....1Wormshaft (100/150XT)			
12A	909/12800.....1Wormshaft (175/200XT)			
13	908/99901.....1Key			
14	53/0010.....2Bearing			
15	909/15100.....1Tube Carrier (100-150XT)			
15A	909/12900.....1Tube Carrier (175-200XT)			
16	7/8012.....4Bolt (M8x25)			
17	PS013.....2Bearing			
18	5/0015.....1Seal			
19	909/12904.....1Spacer			
20	PS016.....1Seal			
21	MS22.....1Circlip			
22	1/0120.....A/ROil			
23	53/0004.....1Bearing			
24	909/12902.....1Spacer			
25	7/8049.....3Screw (M8x16)			
26	7/12004.....4Bolt (M12x25)			
27	8/8002.....3Nut (M8)			
28	908/16000.....1Plate			



Engine Assembly (Lister → July'02)

6-01

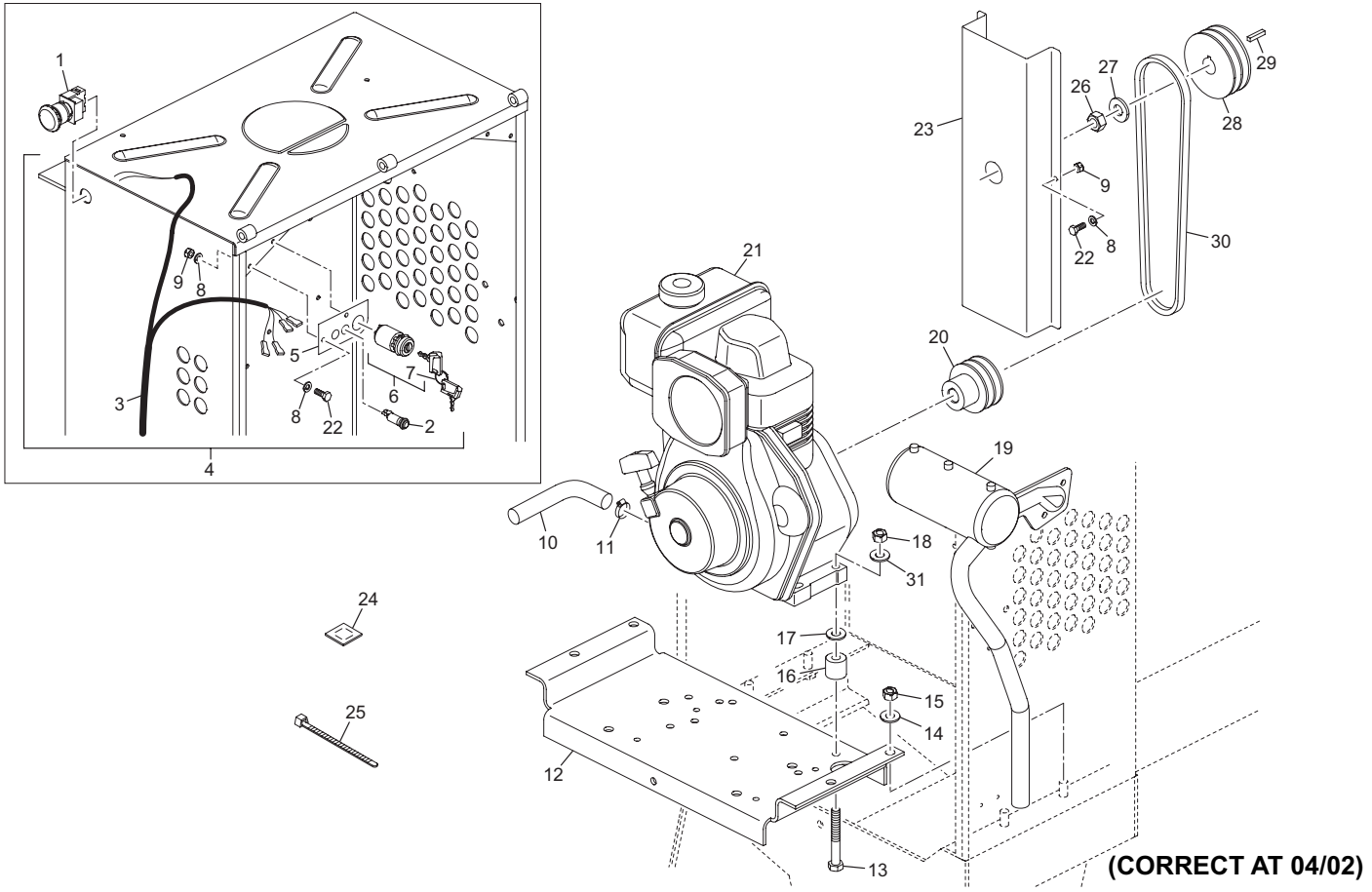
1	6/0003	1	Blank	31	9/12018	4	Bolt (M12x100) (→ July'02)
2	32/0116	1	Hose	32	PS040	1	Pulley (Build 10)
3	3/1010	1	Clip	33	PS097	1	Pulley (Build 32)
4	3/0043	1	Rivet	34	4/1003	3	Washer (M10)
5	6/0020	1	Adaptor	35	9/10009	3	Bolt (M10x45)
6	5/0020	1	Seal	36	9/6001	2	Screw (M6x16)
7	39/1220	1	Hose Kit	37	4/6001	4	Washer (M6)
8	21/0107	1	Stop Cable	38	909/99941	1	Guard (→ July'02)
9	2/0010	1	Ring	39	8/6002	2	Nut (M6)
10	908/21800	1	Lever	40	8/16002	1	Nut (M16)
11	7/4002	2	Screw (M4)	41	4/1602	1	Washer (M16)
12	PS087	1	Air Filter (Build 32)	42	909/99964	1	Pulley
13	909/14100	1	Exhaust (Build 32)	43	909/99968	1	Key
14	9/6001	2	Bolt (M6x16)	44	909/14400	1	Exhaust (Build 10)
15	4/6005	2	Washer (M6)	45	908/18700	1	Cap
16	7/8008	3	Bolt (M8)	46	21/0109	2	Belt (A37)
17	4/8003	3	Washer (M8)	47	4/1202	3	Washer (M12)
18	908/14200	1	Air Filter (Build 10)	48	9/12006	3	Bolt (M12x35)
19	908/18600	1	Fuel Filter	-	800/21510	A/R	Decal Lister Maintenance
20	908/22500	1	Handle	-	800/21531	A/R	Decal Lister Starting
21	908/20800	1	Engine (Build 32)	-	800/99916	A/R	Decal Lister Noise
21A	908/20900	1	Engine (Build 10)				
22	8/12001	8	Nut				
23	4/1205	12	Washer (M12)				
24	4/1201	24	Washer (M12) (→ July'02)				
25	909/99975	4	Spacer (→ July'02)				
26	909/99986	1	Engine Deck (→ July'02)				
27	909/99980	1	Spacer (→ July'02)				
28	9/10004	1	Bolt (M10x35) (→ July'02)				
29	4/1005	2	Washer (M10)				
30	8/10001	1	Nut (M10)				



Engine Assembly (Lister → July'02)

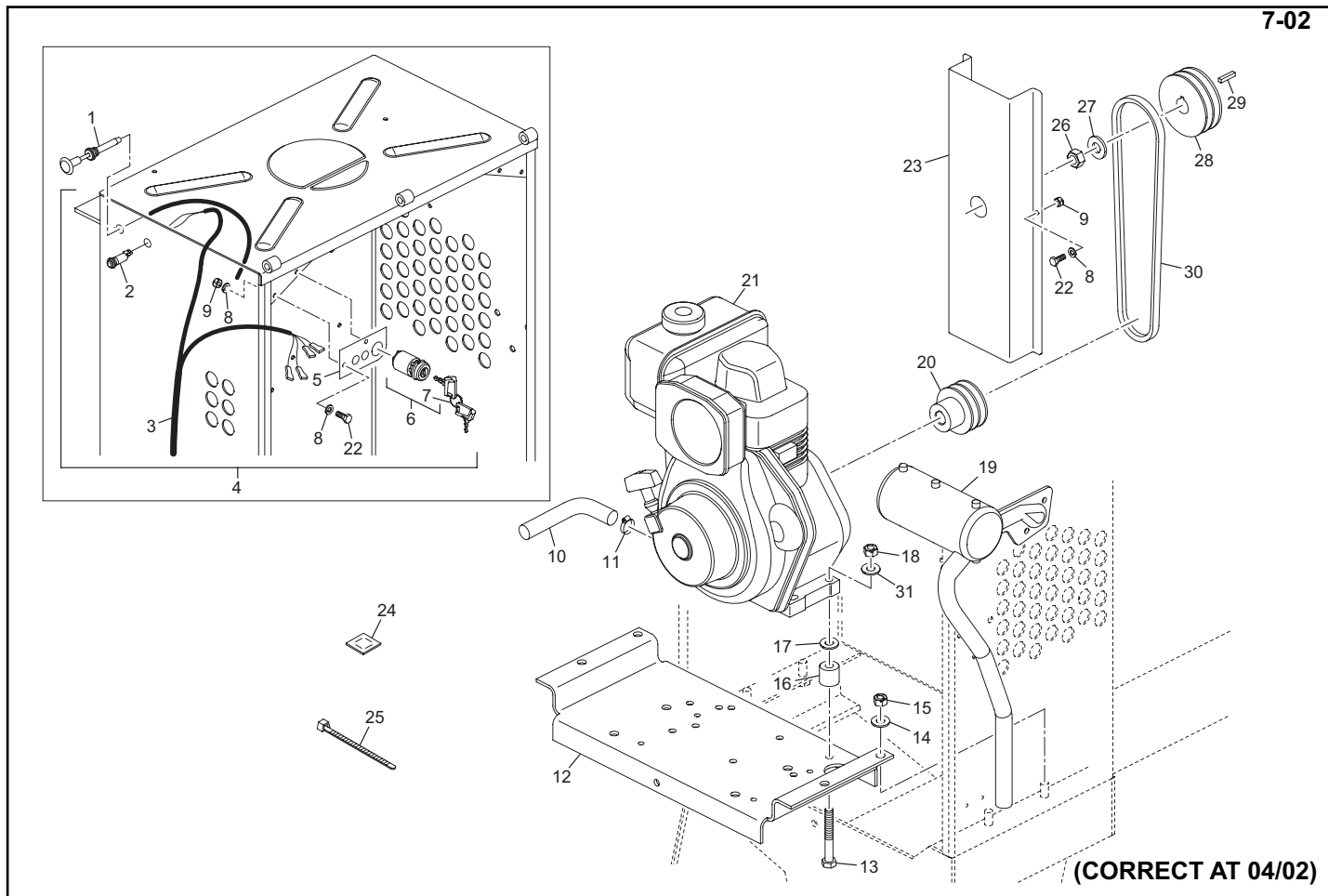
6-02

1	6/0003.....1	Blank	31	9/12019.....4	Bolt (M12x55) (→ July'02)
2	32/0116.....1	Hose	32	PS040.....1	Pulley (Build 10)
3	3/0008.....1	Clip	33	PS097.....1	Pulley (Build 32)
4	3/0043.....1	Rivet	34	4/1003.....3	Washer (M10)
5	6/0020.....1	Adaptor	35	9/10009.....3	Bolt (M10x45)
6	5/0020.....1	Seal	36	9/6001.....2	Screw (M6x16)
7	39/1220.....1	Hose Kit	37	4/6001.....4	Washer (M6)
8	21/0107.....1	Stop Cable	38	909/99802.....1	Guard (Build 10) (→ July'02)
9	2/0010.....1	Ring		909/99903.....1	Guard (Build 32) (→ July'02)
10	908/21800.....1	Lever	39	8/6002.....2	Nut (M6)
11	7/4002.....2	Screw (M4)	40	8/16002.....1	Nut (M16)
12	PS087.....1	Air Filter (Build 32)	41	4/1602.....1	Washer (M16)
13	909/14100.....1	Exhaust (Build 32)	42	909/99964.....1	Pulley
14	9/6001.....2	Bolt (M6x16)	43	909/99968.....1	Key
15	4/6005.....2	Washer (M6)	44	909/14400.....1	Exhaust (Build 10)
16	7/8008.....3	Bolt (M8)	45	908/18700.....1	Cap
17	4/8003.....3	Washer (M8)	46	21/0109.....2	Belt (A37)
18	908/14200.....1	Air Filter (Build 10)	47	4/1202.....3	Washer (M12)
19	908/18600.....1	Fuel Filter	48	9/12006.....3	Bolt (M12x35)
20	908/22500.....1	Handle	49	909/99999.....1	Jockey Belt Tensioner (→ July'02)
21	908/20800.....1	Engine (Build 32)	50	7/5020.....1	Screw (M5x10) (→ July'02)
21A	908/20900.....1	Engine (Build 10)	51	4/5002.....1	Washer (M5) (→ July'02)
22	8/12001.....8	Nut	52	5/5002.....1	Nut (M5) (→ July'02)
23	4/1205.....12	Washer (M12)	53	909/99819.....1	Swing Plate
24			54	7/5002.....1	Screw (M5 x 12)
25			55	8/5003.....1	Nut (M5)
26	909/99991.....1	Engine Deck (→ July'02)	-	800/21510.....A/R.....	Decal Lister Maintenance
27			-	800/21531.....A/R.....	Decal Lister Starting
28	9/10005.....1	Bolt (M10x25) (→ July'02)	-	800/99916.....A/R.....	Decal Lister Noise
29	4/1005.....2	Washer (M10)			
30	8/10001.....1	Nut (M10)			



Engine Assembly (Yanmar → Oct'01)

1	70/0049	1	Emergency Stop Button (→ Oct'01)	31	4/1005	4	Washer (M10)
2	70/0012	1	Indicator Red	-	800/10420	A/R	Decal Hot Parts
3	71/0167	1	Harness (Stop/Start) (→ Oct'01)	-	800/21512	A/R	Decal Yanmar Maintenance
4	71/0157	1	Harness Assy (Complete) (→ Oct'01)	-	800/21520	A/R	Decal Charge Light
5	909/99972	1	Ignition Switch Plate	-	800/21530	A/R	Decal Yanmar Starting (→ Oct'01)
6	70/0184	1	Ignition Switch (C/W Keys)	-	800/99916	A/R	Decal Yanmar Noise
7	70/0185	1	Ignition Keys	-	800/99916	1	Decal Motor Noise
8	4/6001	8	Washer (M6)				
9	8/6002	4	Nut (M6)				
10	31/0105	1	Drain Hose				
11	200/08400	1	Jubilee Clip				
12	909/99986	1	Engine Deck				
13	9/10011	4	Bolt (M10x50)				
14	4/1204	4	Washer (M12)				
15	8/12001	4	Nut (M12)				
16	909/99976	4	Spacer				
17	4/1001	24	Washer (M10)				
18	8/10001	4	Nut (M10)				
19	909/14300	1	Exhaust				
20	909/99970	1	Pulley				
21	20/0023	1	Engine Yanmar L40 ARE-BE (→ Oct'01)				
22	9/6001	4	Screw (M6x16)				
23	909/99941	1	Guard				
24	900/99903	A/R	Pad				
25	1/0005	A/R	Cable Tie				
26	8/16002	1	Nut (M16)				
27	4/1602	1	Washer (M16)				
28	909/99964	1	Pulley				
29	909/99968	1	Key				
30	21/0110	2	Belt (A36)				

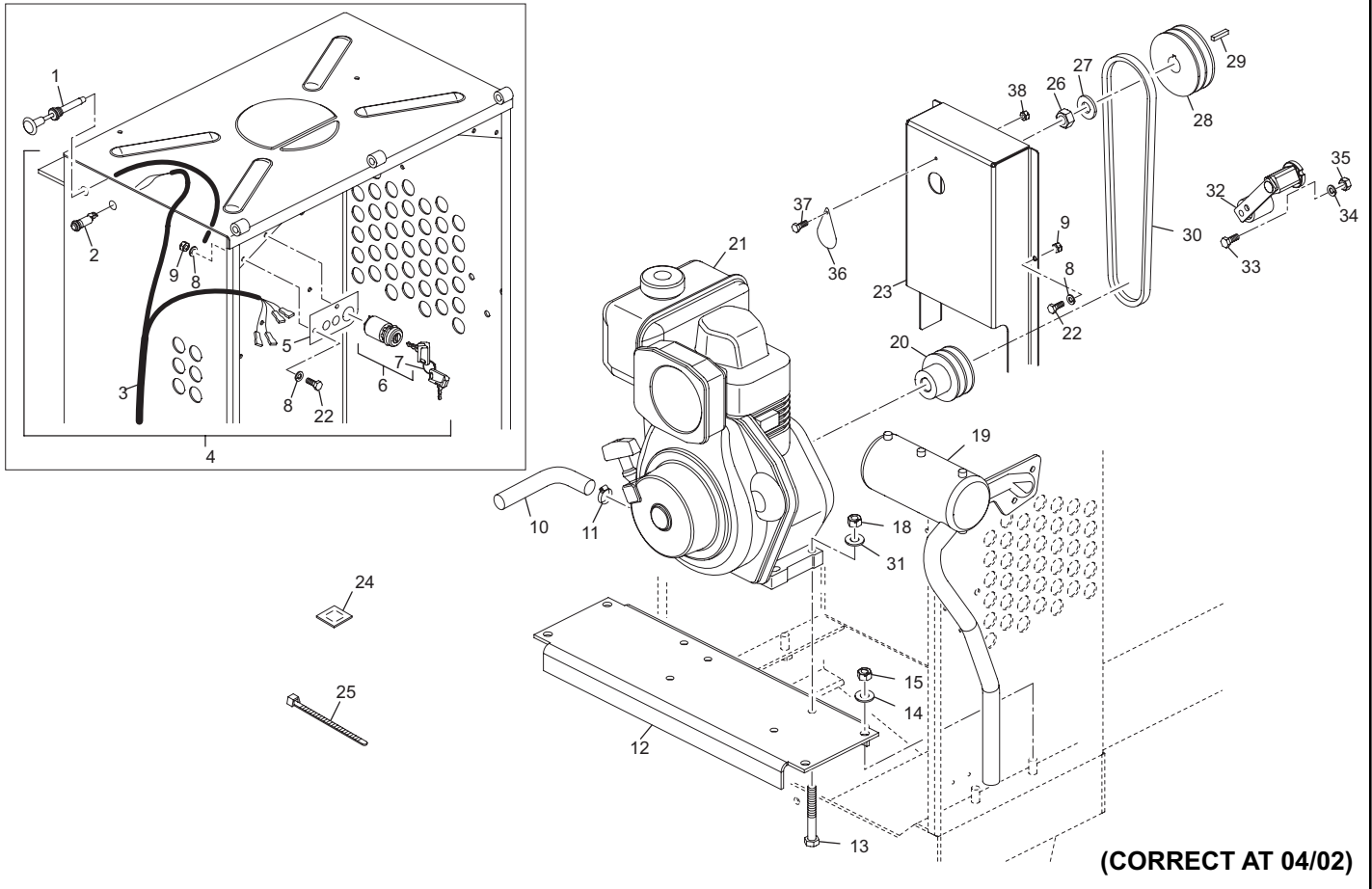


Engine Assembly (Yanmar ↳ Oct'01 → July'02)

1	21/01141	Emergency Stop & Cable Assy (↳ Oct'01)	31	4/10054	Washer (M10)
2	70/00121	Indicator Red	-	800/10420A/R	Decal Hot Parts
3	71/01741	Harness (Stop/Start) (↳ Oct'01)	-	800/21512A/R	Decal Yanmar Maintenance
4	71/01731	Harness Assy (Complete) (↳ Oct'01)	-	800/21520A/R	Decal Charge Light
5	909/999721	Ignition Switch Plate	-	800/21534A/R	Decal Yanmar Starting (↳ Oct'01)
6	70/01841	Ignition Switch (C/W Keys)	-	800/99916A/R	Decal Yanmar Noise
7	70/01851	Ignition Keys					
8	4/60018	Washer (M6) (→ July'02)					
9	8/60024	Nut (M6) (→ July'02)					
10	31/01051	Drain Hose					
11	200/084001	Jubilee Clip					
12	909/999861	Engine Deck (→ July'02)					
13	9/100114	Bolt (M10x50) (→ July'02)					
14	4/12044	Washer (M12)					
15	8/120014	Nut (M12)					
16	909/999764	Spacer (→ July'02)					
17	4/100124	Washer (M10) (→ July'02)					
18	8/100014	Nut (M10)					
19	909/143001	Exhaust					
20	909/999701	Pulley					
21	20/00241	Engine Yanmar					
				L40 ARE-BE-BE2 (↳ Oct'01)					
22	9/60014	Screw (M6x16) (→ July'02)					
23	909/999411	Guard (→ July'02)					
24	900/99903A/R	Pad					
25	1/0005A/R	Cable Tie					
26	8/160021	Nut (M16)					
27	4/16021	Washer (M16)					
28	909/999641	Pulley					
29	909/999681	Key					
30	21/01102	Belt (A36) (→ July'02)					

Engine Assembly (Yanmar ↳ July'02)

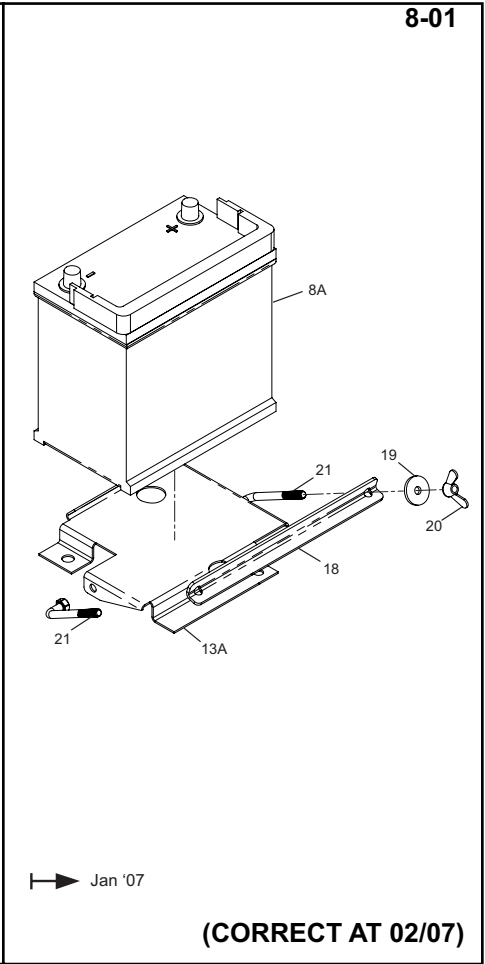
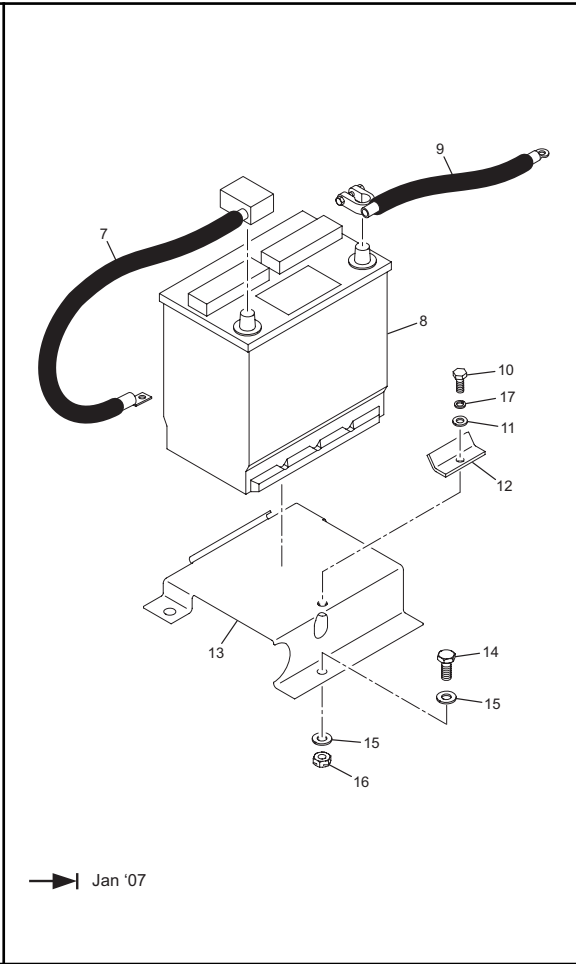
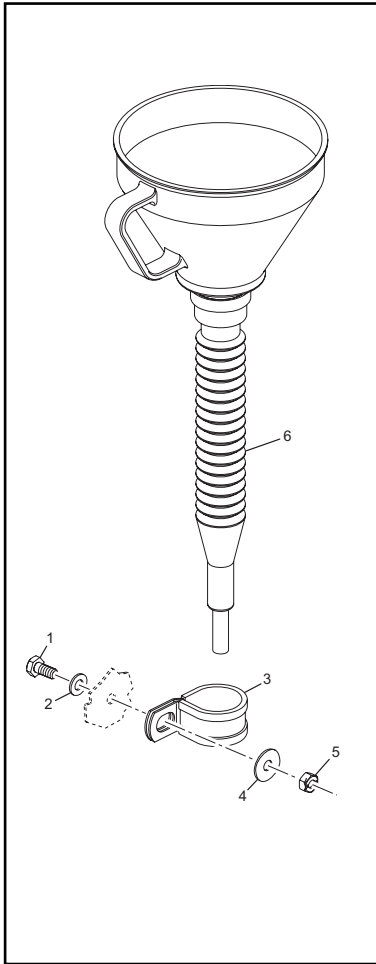
7-03



Engine Assembly (Yanmar ↳ July'02)

7-03

1	21/0114	1	Emergency Stop & Cable Assy	31	4/1005	4	Washer (M10)
2	70/0012	1	Indicator Red	32	909/99999	1	Jockey (Belt Tensioner) (↳ July'02)
3	71/0174	1	Harness (Stop/Start)	33	7/5020	1	Screw (M5x10) (↳ July'02)
4	71/0173	1	Harness Assy (Complete)	34	8/5002	1	Nut (M5) (↳ July'02)
5	909/99972	1	Ignition Switch Plate	35	4/5002	1	Washer (M5) (↳ July'02)
6	70/0184	1	Ignition Switch (C/W Keys)	36	909/99819	1	Swing Plate
7	70/0185	1	Ignition Keys	37	7/5002	1	Screw (M5 x 12)
8	4/6001	10	Washer (M6) (↳ July'02)	38	8/5003	1	Nut (M5)
9	8/6002	5	Nut (M6) (↳ July'02)	-	800/10420	A/R	Decal Hot Parts
10	31/0105	1	Drain Hose	-	800/21512	A/R	Decal Yanmar Maintenance
11	200/08400	1	Jubilee Clip	-	800/21520	A/R	Decal Charge Light
12	909/99992	1	Engine Deck (↳ July'02)	-	800/21534	A/R	Decal Yanmar Starting
13	9/10005	4	Bolt (M10x45) (↳ July'02)	-	800/99916	A/R	Decal Yanmar Noise
14	4/1204	4	Washer (M12)				
15	8/12001	4	Nut (M12)				
16							
17							
18	8/10001	4	Nut (M10)				
19	909/14300	1	Exhaust				
20	909/99970	1	Pulley				
21	20/0024	1	Engine Yanmar L48 ARE-SE				
22	9/6001	5	Screw (M6x16) (↳ July'02)				
23	909/99801	1	Guard (↳ July'02)				
24	900/99903	A/R	Pad				
25	1/0005	A/R	Cable Tie				
26	8/16002	1	Nut (M16)				
27	4/1602	1	Washer (M16)				
28	909/99964	1	Pulley				
29	909/99968	1	Key				
30	21/0117	2	Belt (A35.5) (↳ July'02)				



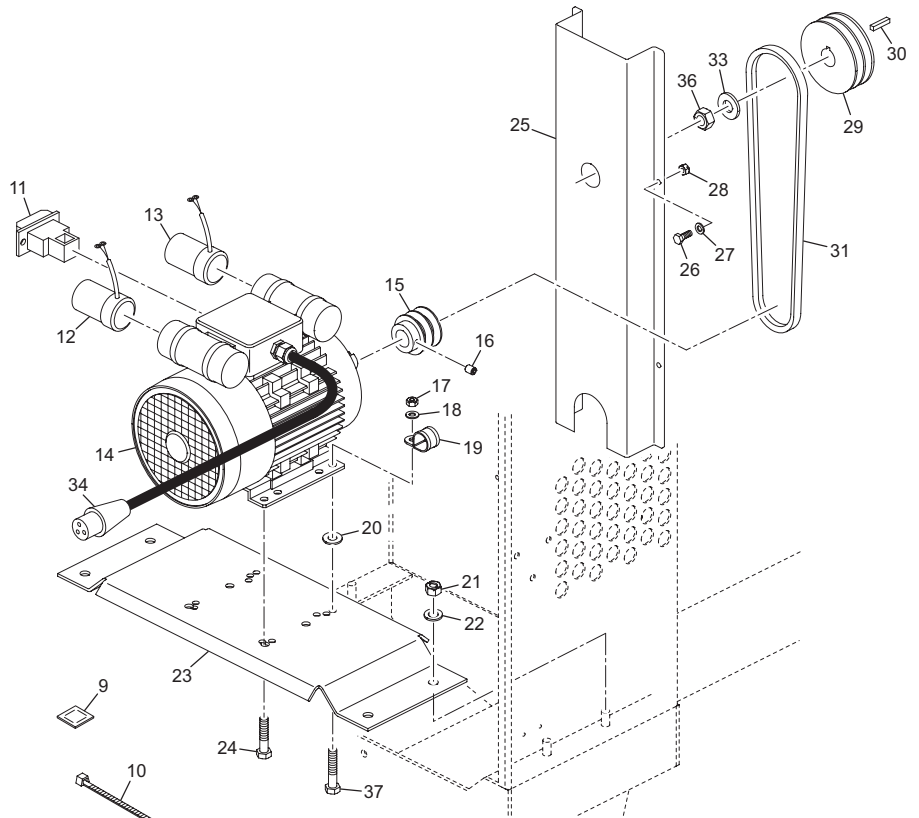
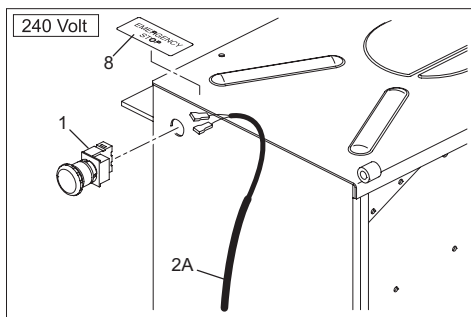
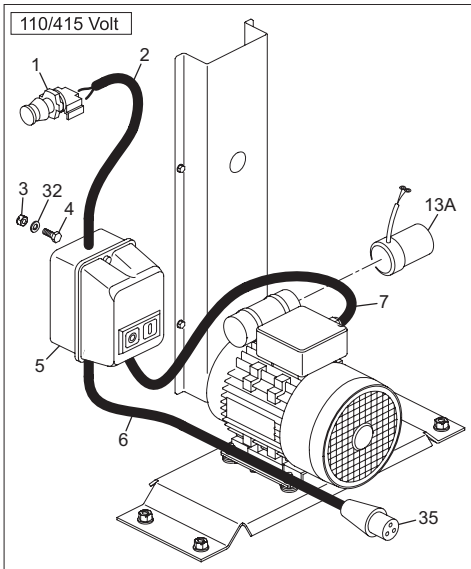
(CORRECT AT 02/07)

Funnel Assembly / Battery Assembly

1	7/8008	1	Bolt (M8x16)
2	4/8006	1	Washer (M8)
3	200/06560	1	P-Clip
4	4/8008	1	Washer (5/16")
5	8/8002	1	Nut (M8)
6	92/99901	1	Funnel
7	140/05500	1	Cable (Positive)
8	909/99818	1	Kit Battery (→ Jan '07)
8A	100/05300	1	Battery (→ Jan '07)
9	140/05100	1	Cable (Earth)
10	7/8011	1	(M8x20)
11	4/8006	1	Washer (M8)
12	909/99949	1	Clamp
13	909/15800	1	Battery Deck (→ July '02)
13	909/99817	1	Kit Battery Deck (→ Jan '07)
13A	909/99816	1	Battery Deck (→ Jan '07)
14	7/10005	1	Bolt (M10x25)
15	4/1005	2	Washer (M10)
16	8/10001	1	Nut (M10)
17	4/8003	1	Washer Spring (M8)
18	909/99814	1	Clamp Battery
19	05.3.062	2	Washer (Dia 30 x 3.3)
20	8/8012	2	Wing Nut (M8)
21	909/99815	2	Pivot Clamp

Motor Assembly (→ July'02)

9-01



(CORRECT AT 04/02)

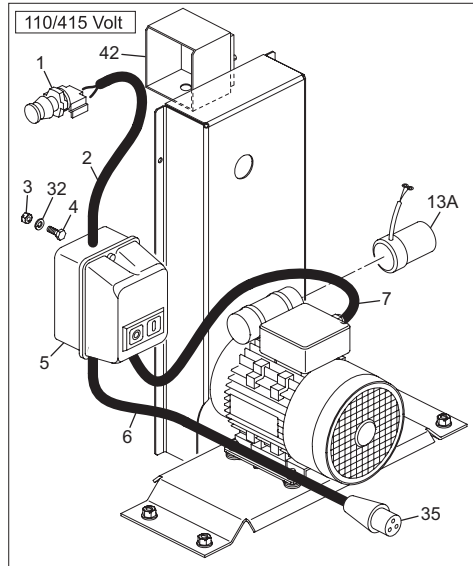
Motor Assembly (→ July'02)

9-01

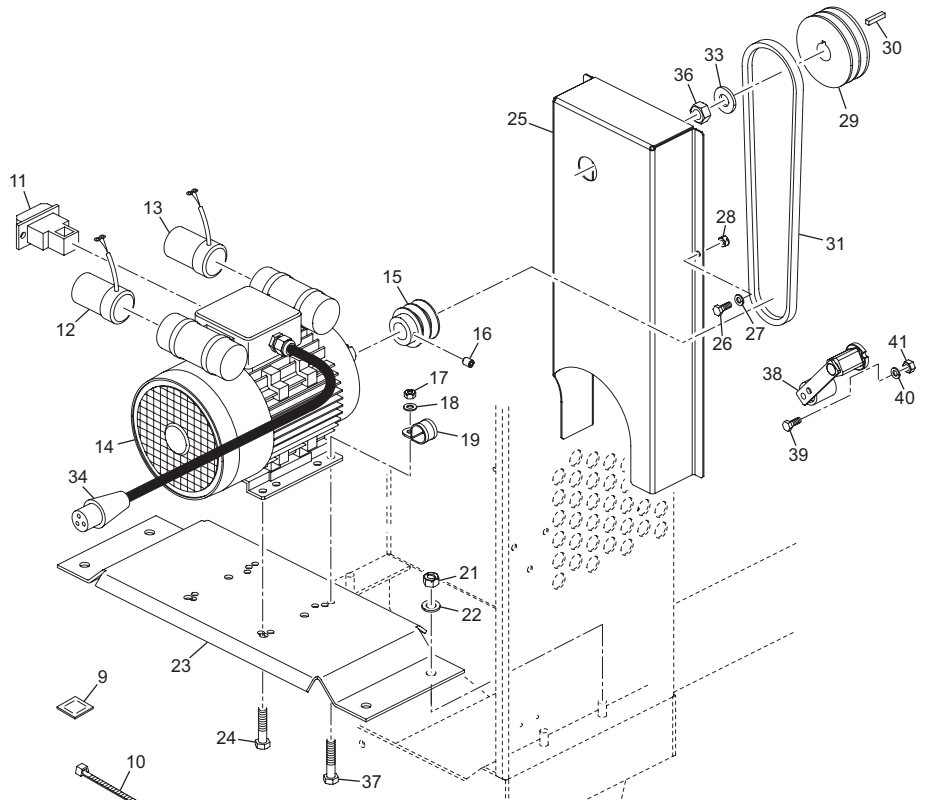
1	70/0049	1	Switch Emergency Stop	28	8/6002	4	Nut (M6) (→ July'02)
2	71/0159	1	Harness Emergency Stop (110V / 415V)	29	909/99964	1	Pulley
2A	71/0172	1	Harness Emergency Stop (240V)	30	909/99968	1	Key
3	8/4004	2	Nut (M4)	31	20/0110	2	Belt (A37) (→ July'02)
4	9/4001	2	Bolt (M4x12)	32	4/4001	2	Washer
5	908/22000	1	Switchbox (110V)	33	4/1602	1	Washer (M16)
5A	908/20000	1	Switchbox (415V)	34	918/28500	1	Plug (240V 16 amp)
6	71/0160	1	Harness Power (c/w 110V 32Amp Plug)	35	918/30100	1	Plug (110V 32 amp)
6A	71/0165	1	Harness Power (c/w 415V 32Amp Plug)	35A	70/0189	1	Plug (415V 32 amp)
7	71/0161	1	Harness Motor (110V)	36	8/16002	1	Nut (M16)
7A	71/0166	1	Harness Motor (415V)	37	9/8003	1	Bolt (M8x35) (→ July'02)
8	900/11600	1	Decal Emergency Stop	38	909/20400	1	Replacement Motor Kit (110V)
9	900/99903	A/R	Pad	38A	909/20600	1	Replacement Motor Kit (240V)
10	1/0005	A/R	Cable Tie	-	800/21513	1	Decal Motor Maintenance
11	70/0044	1	Switch	-	800/21533	1	Decal Motor Start Up
12	70/0042	1	Run Capacitor (240V)				
13	70/0043	1	Start Capacitor (240V)				
13A	70/0187	1	Start Capacitor (110V)				
14	38	1	Motor (110V)				
14A	38A	1	Motor (240V)				
14B	908/19900	1	Motor (415V)				
15	908/14800	1	Pulley				
16	7/8006	1	Screw (M8x10)				
17	8/8002	4	Nut (M8)				
18	4/8006	4	Washer (M8)				
19	900/10200	1	P-Clip				
20	4/8008	24	Washer (M8) (→ July'02)				
21	8/12001	4	Nut (M12)				
22	4/12004	4	Washer (M12)				
23	909/99937	1	Motor Deck				
24	9/8008	3	Bolt (M8x30) (→ July'02)				
25	909/99940	1	Guard				
26	9/6001	4	Screw (M6x16) (→ July'02)				
27	4/6001	8	Washer (M6) (→ July'02)				

Motor Assembly (→ July'02, → Mar'06)

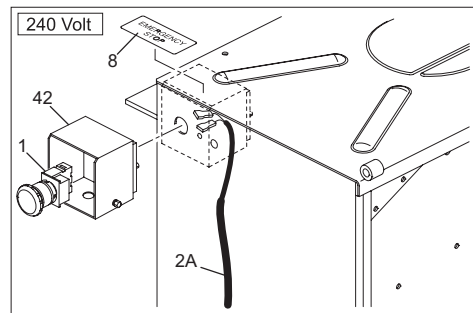
9-02



Item 42, should only be fitted by a qualified electrician.



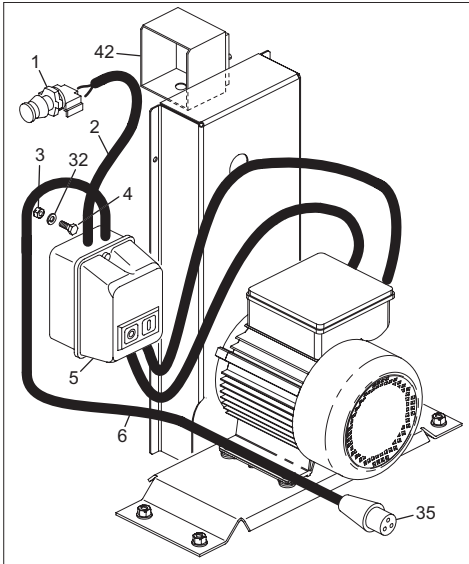
(CORRECT AT 02/06)



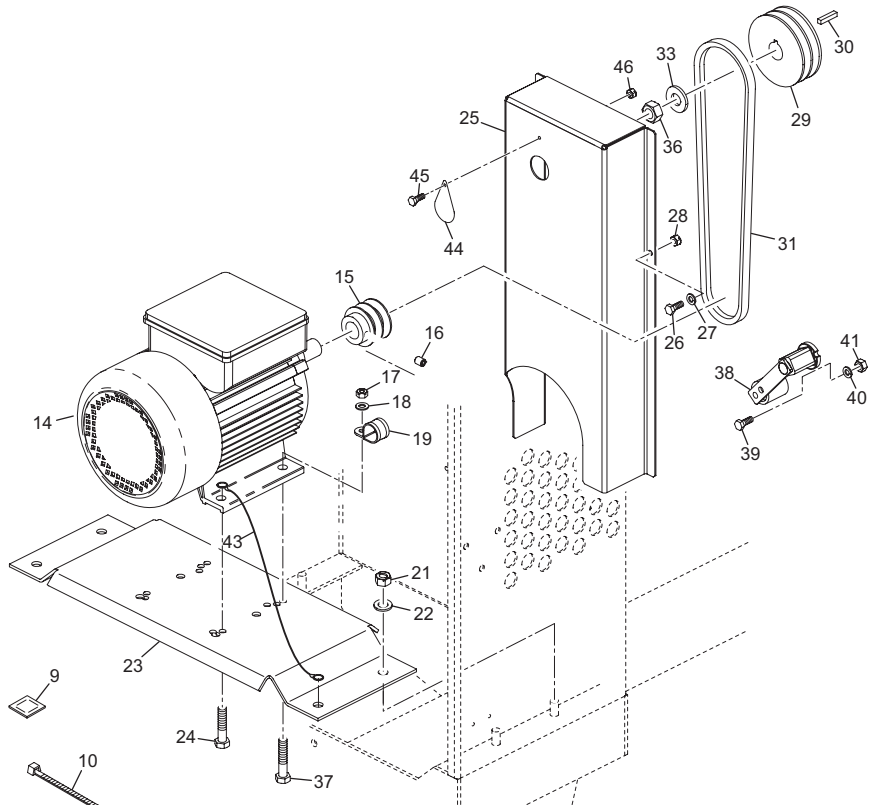
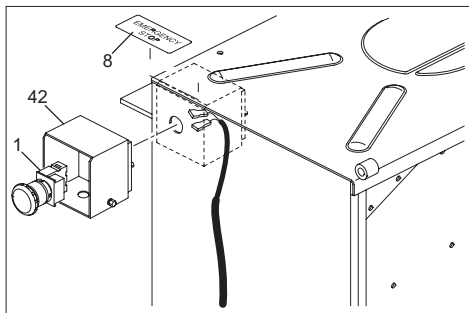
Motor Assembly (→ July'02, → Mar'06)

9-02

1	70/0049	1	Switch Emergency Stop	28	8/6002	4	Nut (M6)
2	71/0159	1	Harness Emergency Stop (110V / 415V)	29	909/99964	1	Pulley
2A	71/0172	1	Harness Emergency Stop (240V)	30	909/99968	1	Key
3	8/4004	2	Nut (M4)	31	21/0111	2	Belt (A38) (→ July'02)
4	9/4001	2	Bolt (M4x12)	32	4/4001	2	Washer
5	908/22000	1	Switchbox (110V)	33	4/1602	1	Washer (M16)
5A	908/20000	1	Switchbox (415V)	34	918/28500	1	Plug (240V 16 amp)
6	71/0160	1	Harness Power (c/w 110V 32Amp Plug)	35	918/30100	1	Plug (110V 32 amp)
6A	71/0165	1	Harness Power (c/w 415V 32Amp Plug)	35A	70/0189	1	Plug (415V 32 amp)
7	71/0161	1	Harness Motor (110V)	36	8/16002	1	Nut (M16)
7A	71/0166	1	Harness Motor (415V)	37	24	4	Bolt (M10x25) (→ July'02)
8	900/11600	1	Decal Emergency Stop	38	909/99999	1	Jockey (Belt Tensioner) (→ July'02)
9	900/99903	A/R	Pad	39	7/5020	1	Screw (M5x10) (→ July'02)
10	1/0005	A/R	Cable Tie	40	8/5002	1	Nut (M5) (→ July'02)
11	70/0044	1	Switch	41	4/5002	1	Washer (M5) (→ July'02)
12	70/0042	1	Run Capacitor (240V)	42	909/20100	1	Emergency Stop Cover Kit (→ March'04)
13	70/0043	1	Start Capacitor (240V)	43	909/20400	1	Replacement Motor Kit (110V)
13A	70/0187	1	Start Capacitor (110V)	43A	909/20600	1	Replacement Motor Kit (240V)
14	43	1	Motor (110V)	-	800/21513	1	Decal Motor Maintenance
14A	43A	1	Motor (240V)	-	800/21533	1	Decal Motor Start Up
14B	908/19900	1	Motor (415V)	-	800/99916	1	Decal Motor Noise
15	908/14800	1	Pulley				
16	7/8006	1	Screw (M8x10)				
17	8/10001	4	Nut (M10) (→ July'02)				
18	4/1005	8	Washer (M10) (→ July'02)				
19	900/10200	1	P-Clip				
20	4/8008	24	Washer (M8)				
21	8/12001	4	Nut (M12)				
22	4/12004	4	Washer (M12)				
23	909/99937	1	Motor Deck				
24	7/10005	4	Bolt (M10x25) (→ July'02)				
25	909/99804	1	Guard (→ July'02)				
26	9/6001	4	Screw (M6x16)				
27	4/6001	8	Washer (M6)				

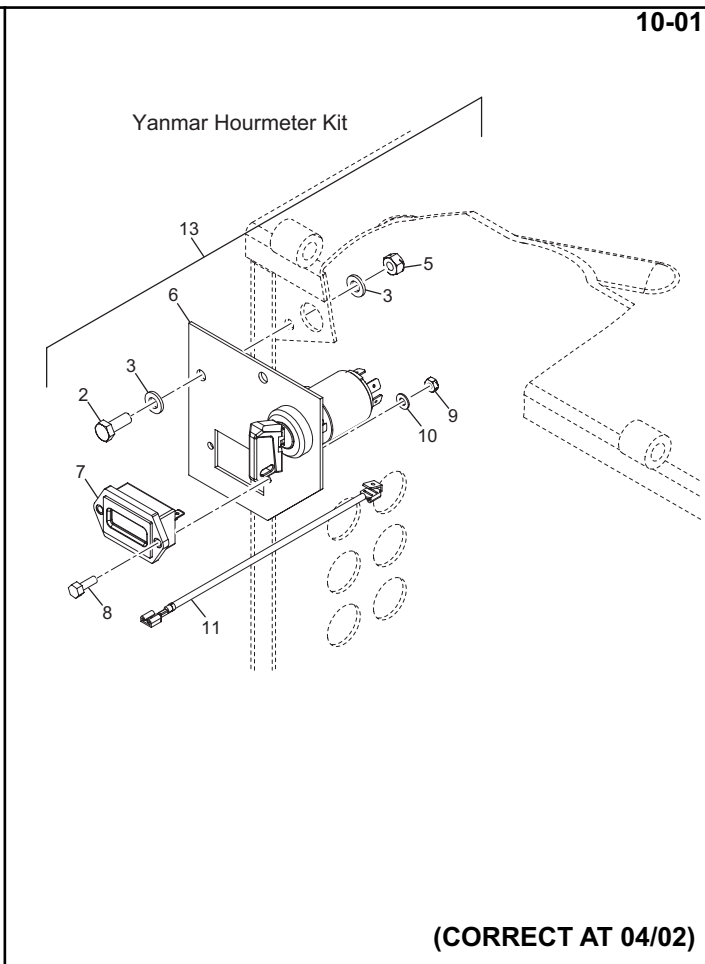
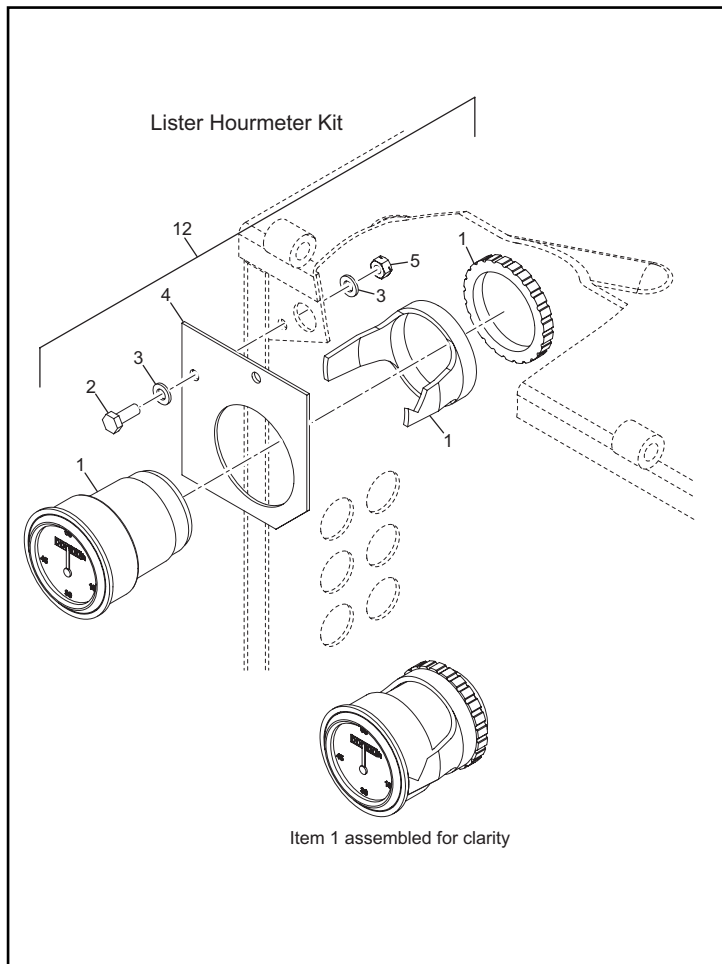


Item 42, should only be fitted by a qualified electrician.



(CORRECT AT 03/06)

1	70/0049	1	Switch Emergency Stop	28	8/6002	4	Nut (M6)
2	71/0251	1	Harness Emergency Stop	29	909/99964	1	Pulley
3	8/4004	2	Nut (M4)	30	909/99968	1	Key
4	9/4001	2	Bolt (M4x12)	31	21/0111	2	Belt (A38)
5	908/22000	1	Switchbox (110V)	32	4/4001	2	Washer
5A	908/20000	1	Switchbox (415V)	33	4/1602	1	Washer (M16)
5B	70/0240	1	Switchbox (230V)	35	918/30100	1	Plug (110V 32 amp)
6	71/0160	1	Harness Power (c/w 110V 32Amp Plug)	35A	70/0189	1	Plug (415V 32 amp)
6A	71/0165	1	Harness Power (c/w 415V 32Amp Plug)	35B	918/28500	1	Plug (240V 16 amp)
6B	71/0252	1	Harness Power (c/w 230V 16Amp Plug)	36	8/16002	1	Nut (M16)
8	900/11600	1	Decal Emergency Stop	38	909/99999	1	Jockey (Belt Tensioner)
9	900/99903	A/R	Pad	39	7/5020	1	Screw (M5x10)
10	1/0005	A/R	Cable Tie	40	8/5002	1	Nut (M5)
14	20/0078	1	Motor (110V)	41	4/5002	1	Washer (M5)
14A	20/0079	1	Motor (240V)	42	909/20100	1	Emergency Stop Cover Kit
14B	908/19900	1	Motor (415V)	43	71/0249	1	Earth Cable
15	908/14800	1	Pulley	44	909/99819	1	Swing Plate
16	7/8006	1	Screw (M8x10)	45	7/5002	1	Screw (M5 x 12)
17	8/10001	4	Nut (M10)	46	8/5003	1	Nut (M5)
18	4/1005	8	Washer (M10)	-	800/21513	1	Decal Motor Maintenance
19	900/10200	1	P-Clip	-	800/21533	1	Decal Motor Start Up
20	4/8008	24	Washer (M8)	-	800/99916	1	Decal Motor Noise
21	8/12001	4	Nut (M12)				
22	4/12004	4	Washer (M12)				
23	909/99937	1	Motor Deck				
24	7/10005	4	Bolt (M10x25)				
25	909/99804	1	Guard				
26	9/6001	4	Screw (M6x16)				
27	4/6001	8	Washer (M6)				



(CORRECT AT 04/02)

Hourmeter Assembly (Lister & Yanmar)

1	70/0039.....	1	Engine Hour Meter (Lister)
2	9/6001.....	2	Bolt M6 x 16 Hex BZP
3	4/6001.....	4	Washer M6 Form A BZP
4	909/99944.....	1	Plate Lister Hourmeter
5	8/6002.....	2	Nut M6 BINX BZP
6	909/99945.....	1	Plate Yanmar Hourmeter
7	100/02400.....	1	Engine Hour Meter (Yanmar)
8	9/4001.....	2	Bolt M4 x 12
9	8/4004.....	2	Nut M4
10	4/4001.....	2	Washer M4
11	71/0171.....	2	Harness Hour Meter (Yanmar)
12	OPM/04/DIO	1	Hourmeter Kit (Lister)
13	OPM/05/DIO	1	Hourmeter Kit (Yanmar)