



# **FLOATS AND TOOLS**



- Spare Parts Book

8

# EC DECLARATION OF CONFORMITY / DECLARACIÓN CE DE CONFORMITE / DECLARACIÓN DE CONFORMIDAD CE / DECLARAÇÃO CE DE CONFORMIDADE / EG-VERKLARING VAN OVEREENSTEMMING / EF OVERENSSTEMMELSESERKLÆRING

**(GB)** We, **Belle Group Sheen UK, Sheen, Nr. Buxton, Derbyshire, SK17 0EU, GB**, hereby certify that if the product described within this certificate is bought from an authorised Belle Group dealer within the EEC, it conforms to the following EEC directives: 98/37/EC (This directive is a consolidation of the original machinery directive 89/392/EEC), Electromagnetic Compatibility Directive 89/336/EEC (as amended by 92/31/EEC & 93/68/EEC). The low voltage directive 73/23/EEC, BS EN ISO 12100-1:2003 Safety of machinery and associated harmonised standards, where applicable. Noise emissions conform to directive 2000/14/EC Annex VI, for machines under article 12 the notified body is **AV Technology Limited, AVTECH house, Birdhall Lane, Cheadle Heath, Stockport, Cheshire, SK3 0XU, GB**.  
*Noise Technical Files are held at the Belle Group Head Office address which is stated above.*

**(F)** Nous soussignés, **Belle Group Sheen UK, Sheen, Nr. Buxton, Derbyshire, SK17 0EU, GB**, certifions que si le produit décrit dans ce certificat est acheté chez un distributeur autorisé Belle Group au sein de la CEE, il est conforme aux normes CEE ci-après: 98/37/CE (Cette norme est une codification des normes de la machine d'origine 89/392/CEE), Norme compatible pour l'électromagnétisme 89/336/CEE (modifié par 92/31/CEE et 93/68/CEE), Caractéristiques basse tension 73/23/CEE, BS EN ISO 12100-1:2003, Norme de sécurité des machines et des critères associés et configurés, si applicable. Les émissions de bruit sont conformes à la directive 2000/14/EC Annexe VI pour machines, article 12, l'objet mentionné est **AV Technology Mimited, AVTECH House, Birdhall Lane, Cheadle Heath, Stockport, Cheshire, SK3 0XU, GB**.  
*Les dossiers techniques sur les émissions sonores des machines sont détenus au siège social de BELLE GROUP à l'adresse ci-dessus.*

**(E)** La Sociedad, **Belle Group Sheen UK, Sheen, Nr. Buxton, Derbyshire, SK 17 0EU, GB**, por el presente documento certifica que si el producto descrito en este certificado es comprado a un distribuidor autorizado de Belle Group en la CEE, este es conforme a las siguientes directivas: 98/37/CE de la CEE (Esta directiva consolida la directiva inicial sobre maquinaria 89/392/CEE), Directiva 89/336 CEE sobre Compatibilidad Electromagnética (según enmiendas 92/31/CEE y 93/68 CEE), Directiva sobre Bajo Voltaje 73/23/CEE, BS EN ISO 12100-1:2003 de Seguridad de Maquinaria y Niveles armonizados estándares asociados donde sean aplicables. Emisión de Ruidos conforme a la Directiva 2000/14/CE Anexo VI para máquinas bajo artículo 12 la mencionada unidad está **AV Technology Limited, AVTECH House, Birdhall Lane, Cheadle Heath, Stockport, Cheshire, SK3 0XU, GB**.  
*En La Sede Central de Belle Group existen Archivos Técnicos con contenido referente a Niveles de Ruido.*

**(P)** O signatário, **Belle Group Sheen UK, Sheen, Nr. Buxton, Derbyshire, SK 0EU, GB**, pelo presente, declara que se o produto descrito neste certificado foi adquirido a um distribuidor autorizado do Belle Group em qualquer país da UE, está em conformidade com o estabelecido nas seguintes directivas comunitárias: 98/37/EC (esta directiva é uma consolidação da directiva de maquinaria original 89/392/EEC), Directiva de Compatibilidade Electromagnética 89/336/EEC (conforme corrigido pelas 92/31/EEC & 93/68 EEC). A directiva de baixa voltagem 73/23/EEC, BS EN ISO 12100-1:2003 Segurança da maquinaria e níveis armonizados afins se aplicáveis. As emissões de ruído respeitam e estão dentro das directivas para máquinas 2000/14/EC Anexo VI, artigo 12, sendo o organismo notificado **AV Technology Limited, AVTECH house, Birdhall Lane, Cheadle Heath, Stockport, Cheshire, SK3 0XU, GB**.  
*A informação técnica sobre níveis sonoros está disponível na Sede da Belle Group na morada acima mencionada.*

**(NL)** Ondergetekende, **Belle Group Sheen UK, Sheen, Nr. Buxton, Derbyshire, SK17 0EU, GB**, verklaren hierbij dat als het product zoals beschreven in dit certificaat is gekocht van een erkende Belle Group dealer binnen de EEG, het voldoet aan de volgende EEG richtlijnen: 98/37/EC (Deze richtlijn is een opvolger van de originele Machinerichtlijn 89/392/EEG), Electromagnetische Compatibiliteits Richtlijn 89/336/EEG (geamendeerd door 92/31/EEG & 93/68 EEC). De Laagspannings Richtlijn 73/23/EEG, BS EN ISO 12100-1:2003 Veiligheid van Machines en hieraan gekoppelde geharmoniseerde Standaarden, waar deze van toepassing is. Rumoer emissies passen voor richtlijn EC Zijgebouw VI, voor toestel onder stuk 12 naar de notified troep zit **AV Technology Limited, AVTECH house, Birdhall Lane, Cheadle Heath, Stockport, Cheshire, SK3 0XU, GB**  
*Worden de Technische Dossiers van het lawaai gehouden op het adres van het Hoofdkantoor van de Groep Belle dat hierboven ' wordt verklaard.*

**(DK)** Vi, **Belle Group Sheen UK, Sheen, Nr. Buxton, Derbyshire, SK17 0EU, GB**, erklærer hermed, at hvis det i dette certifikat beskrevne produkt er købt hos en autoriseret Belle Group forhandler i EU, er det i overensstemmelse med følgende EØF-direktiver: 98/37/EF, 73/23/EØF (som ændret ved 93/68/EØF), 89/336/EØF (som ændret ved 92/31/EØF), 93/68/EØF og tilknyttede, harmoniserede standarder, hvor relevant. Støjniveauet er i overensstemmelse med direktiv 2000/14/EF, bilag VI gældende for maskiner under paragraf 12. Det bemyndigede organ er **AV Technology Limited, AVTECH house, Birdhall Lane, Cheadle Heath, Stockport, Cheshire, SK3 0XU, Storbritanien**.

PRODUCT TYPE .....	TYPE DE PRODUIT.....	TIPO DE PRODUCTO .....	TIPO DE PRODUCTO .....
MODEL.....	MODELE.....	MODELO .....	MODELO.....
SERIAL No.....	N° DE SERIE .....	N° DE SERIE.....	NO. DE SÉRIE .....
DATE OF MANUFACTURE.	DATE DE FABRICATION .....	FECHA DE FABRICACIÓN..	DATA DE FABRIC .....
SOUND POWER LEVEL MEASURED..... (GUARANTEED).....	NIVEAU DE PUISSANCE SONORE MESUREE..... (GARANTIE).....	NIVEL DE POTENCIA ACÚSTICA MEDIDO..... (GARANTIZADO).....	NIVEL DE POTÊNCIA DE SOM MEDIDO..... (GARANTIDO).....
WEIGHT.....	POIDS .....	PESO.....	PESO.....
PRODUCTTYPE .....	PRODUKTTYPE.....		
MODEL.....	MODEL .....		
SERIENUMMER.....	SERIENR .....		
FABRICATEDATUM.....	FREMSTILLINGSDATO .....		
GEMETEN (GEGARANDEERD).....	LYDEFEKTNIVEAU (GARANTERET).....		
GEWICHT.....	VÆGT.....		



Signed by:  
Signature:  
Medido por:  
Assinado por:  
Getekend door:  
Underskrevet af:

  
**Ray Neilson**

Managing Director - On behalf of BELLE GROUP (SHEEN) UK.  
Le Directeur Général - Pour le compte de la SOCIETE BELLE GROUP (SHEEN) UK.  
Director Gerente - En nombre de BELLE GROUP (SHEEN) UK.  
Director-Geral - Em nome de BELLE GROUP (SHEEN) UK.  
Algemeen Directeur - Namens BELLE GROUP (SHEEN) UK.  
Administrerende direktør - På vegne af BELLE GROUP (SHEEN) UK.

# EGKONFORMITÄTserklÄring / DICHIARAZIONE CE DI CONFORMITÄ / EG-VERKLÄring VAN OVEREENSTEMMING / EC SAMSVARserklÄring / EY-YHDENMUKAISUUSILMOITUS / DEKLARACJA ZGODNOSCI Z PRZEPISAMI UE

**(D)** Wir, **Belle Group Sheen UK, Sheen, Nr. Buxton, Derbyshire, SK17 0EU, Großbritannien**, bestätigen hiermit, dass das in diesem Zertifikat beschriebene Produkt, wenn es von einem autorisierten Belle Group Händler innerhalb der europäischen Gemeinschaft gekauft wurde, folgenden EG-Richtlinien entspricht: 98/37/EG, 73/23/EG (geändert durch 93/68/EG), 89/336/EG (geändert durch 92/31/EG), 93/68/EG und, wenn zutreffend, den harmonisierten Normen. Geräuschemissionen entsprechen der Richtlinie 2000/14/EG, Anhang VI, für Maschinen unter Artikel 12: die benannte Stelle ist **AV Technology Limited, AVTECH House, Birdhall Lane, Cheadle Heath, Stockport, Cheshire, SK3 0XU, GB**.  
*Geräuschtechnische Dokumente stehen in unserer Zentrale unter obig angegebener Adresse zur Verfügung.*

**(I)** Il Gruppo **Belle Sheen UK, Sheen, Nr. Buxton, Derbyshire, SK17 0EU, GB**, certifica che il prodotto descritto nel presente certificato è acquistato da un concessionario autorizzato del gruppo Belle nell'ambito CEE e che è pienamente conforme alle seguenti direttive CEE: 98/37/EC, 73/23/EEC (emendamento 93/68/CEE), 89/336/EEC (emendamento 92/31/EG), 93/68/CEE e relativi standard armonizzati. Livelli acustici sono in conformità con la direttiva 2000/14/EC Annex VI per macchine coperte dall'articolo 12. L'ente di riferimento è **AV Technology Limited, AVTECH house, Birdhall Lane, Cheadle Heath, Stockport, Cheshire, SK3 0XU, GB**.  
*Dati tecnici relativi ai livelli acustici sono disponibili su richiesta dalla sede madre Belle Group al sopra citato indirizzo.*

**(S)** Undertecknad, **Belle Group Sheen UK, Sheen, Nr Buxton, Derbyshire, SK17 0EU, Storbritannien**, intygar härmed att en produkt beskriven i detta certifikat som köps från en godkänd Belle Group återförsäljare inom EU stämmer överens med följande EG-direktiv: 98/37/EG, 73/23/EG (ändrad genom 93/68/EEC), 89/336/EG (ändrad genom 92/31/EG), 93/68/EG och tillhörande harmoniserade standarder i tillämpliga fall. Buller nivåen överensstämmer med Direktiv 2000/14/EC Bilaga VI gällande maskiner under artikel 12, den aviserade organisationen är **AV Technology Limited, AVTECH house, Birdhall Lane, Cheadle Heath, Stockport, Cheshire, SK3 0XU, Storbritannien**.  
*Teknisk dokumentation vad gäller test av maskiners ljud/bullernivå finns dokumenterad hos Belle-Groups huvudkontor i Sheen, England.*

**(NO)** Vi, **Belle Group Sheen UK, Sheen, Nr Buxton, Derbyshire, SK17 0EU, GB**, bekrefter med dette at dette produkt som står beskrevet i denne erklæringen er kjøpt fra en autoriseret Belle Group forhandler innen EØF, og at det oppfyller følgende direktiver: 98/37/CE dette direktivet er et sammendrag av det opprinnelige maskindirektiv 89/392/EØF), Det elektromagnetisk kompatibilitets-direktiv 89/336/EØF (som endret av 92/31/EØF og 93/68/EØF), Lavspenningsdirektiv 73/23/EØF, BS EN ISO 12100-1:2003, Sikkerhet til maskineri og tilhørende harmoniserte standarder, hvor aktuelt. Støyemisjon er i samsvar med direktiv 2000/14/EC, vedlegg VI, for maskiner. Organet som skal informeres under artikkel 12 er **AV Technology Limited, AVTECH House, Birdhall Lane, Cheadle Heath, Stockport, Cheshire, SK3 0XU, GB**.  
*Lydtekniske filer er arkivert hos Bell Group Hovedkontor med adresse som nevnt ovenfor.*

**(SF)** Me, **Belle Group Sheen UK, Sheen, Nr Buxton, Derbyshire, SK17 0EU, GB**, ilmoitamme täten, että jos tässä todistuksessa kuvattu tuote on ostettu valtuutetulta Belle Groupin myyjältä ETY:n alueella, se on yhdenmukainen seuraavien ETY-direktiivien kanssa: 98/37/EY (Tämä direktiivi on yhdistelmä alkuperäisestä koneidirektiivistä 89/392/EY, sähkömagneettisen yhteensopivuuden direktiivistä 89/336/EY, korjauksineen 92/31/EY ja 93/68/EY), matalajännittdirektiivistä 73/23/EY, koneurvallisuusstandardista BS EN ISO 12100-1:2003 ja siihen liittyvistä yhdenmukaistetuista standardeista, tapauksen mukaan. Melumittaus mittaus on laadittu direktiivin 2000/14/EC Kohdan VI artiklan 12 mukaisille koneille mukaan. Mittauksen suorittaja on **AV Technology Limited, AVTECH House, Birdhall Lane, Cheadle Heath, Stockport, Cheshire, SK3 0XU, GB**.  
*Melumittauksen teknilliset arvot ovat saatavana Belle Group pääkonttorin ylläolevalta osoitteesta.*

**(PL)** My, **Belle Group Sheen UK, Sheen, Nr. Buxton, Derbyshire, SK17 0EU, Wielka Brytania**, niniejszym poświadczamy, iż produkt opisany w tym świadectwie został zakupiony od autoryzowanej Belle Group w UE i jest zgodny z następującymi dyrektywami EU: 98/37/EC (ta dyrektywa to konsolidacja oryginalnej dyrektywy na temat maszyn 89/392/EEC), Dyrektywa zgodności elektromagnetycznej 89/336/EEC (z poprawkami wniesionymi przez 92/31/EEC oraz 93/68/EEC), Dyrektywa w sprawie niskich napięć 73/23/EEC, BS EN ISO 12100-1:2003 Bezpieczeństwo maszyn i związane normy harmonizacyjne, tam gdzie to ma zastosowanie. Poziom hałas jest zgodny z Dyrektywą 2000/14/EC Załącznik VI, organizacja zawiadomiana (odnośnie zgodności) to **AV Technology Limited, AVTECH house, Birdhall Lane, Cheadle Heath, Stockport, Cheshire, SK3 0XU, Wielka Brytania**.  
*Informacje Techniczne dotyczące poziomu hałasu są przechowywane w Belle Group – adres powyżej.*

PRODUKTYP.....	TIPO PRODOTTO .....	PRODUKTYP.....	PRODUKTYP.....
MODELL .....	MODELLO .....	MODELL .....	MODELL .....
SERIENNR.....	SERIE N° .....	SERIE NR. ....	SERIE NR. ....
HERSTELLUNGSDATU .....	DATA DI FABBRICAZIONE..	TILLVERKNINGSDATUM....	PRODUKSJONS DATO .....
SCHALLLEISTUNGSPEGEL GEMESSEN..... (GARANTERT).....	LIVELLO POTENZA SONORA MISURATA .....	LJUDSTYRKA UPPMÄTT..... (GARANTERAD).....	LYDKRAFTNIVÄ MÄLT .....
GEWICHT.....	PESO .....	VIKT.....	VEKT.....
TUOTETYYPPI.....	TYP PRODUKTO.....		
MALLI.....	MODEL .....		
VALMISTUSNRO.....	Nr SERII.....		
VALMISTUSPÄIVÄ.....	DATAPRODUKCI.....		
ÄÄNENVOIMAKKUUDEN TASO MITATTU..... (TAATTU).....	POZIOM MOCY DŹWIĘKU ZMIERZONY .....		
MASSA.....	WAGA .....		



Unterzeichnet von:

Firmato da:

Undertecknat:

Signatur:

Allekirjoitus:

Podpisa:

Ray Neilson

Generaldirektor – Im auftrag von BELLE GROUP (SHEEN) UK.

Amministratore Delegato – Per conto di BELLE GROUP (SHEEN) UK.

V.D. – På vägnar av BELLE GROUP (SHEEN) UK.

Managing Director – På vegne av SOCIETE BELLE GROUP (SHEEN) UK.

Toimitusjohtaja – BELLE GROUP (SHEEN) UK: n puolesta.

Dyrektor Zarządzający – w imieniu BELLE GROUP (SHEEN) UK



# Contents

Slab Surface Floating.....	4
Choosing a Float.....	4
Placer and Rake.....	4
Technical Data.....	4
Description.....	5
Warranty.....	6
Declaration of Conformity.....	2

*Belle Group reserves the right to change machine specification without prior notice or obligation.*



## Slab Surface Floating

The screeding process will leave slight ripples on the concrete surface. For some applications this is acceptable as the texture can increase the effective slip resistance on slopes and ramps.

Screeding with vibration also causes a less desirable effect. The intensity of vibration at the surface can cause a separation of the aggregate and cement. The heavier particles including the sand sink below the surface leaving a thin layer of brittle cement on the surface. This is often referred to as 'laitance' or 'fat'

When the concrete is still in a plastic state the surface can be re-mixed and surface irregularities smoothed out using a float.

This process is quick and easy if the right tools are used. A wide float blade is pushed and pulled across the slab using a long handle so the operator can work the slab from the sides.

Floats can also incorporate a brush to reintroduce a texture to the concrete surface.



## Choosing A Float

Choice is often down to contractor preference. The well know 'Easy float' is often requested but all floats do a similar job. The higher weight of a steel float enables a slab to be worked slightly later in the curing process and some contractors prefer more rounded edges. All the Belle floats are fitted with twist to tilt brackets on the blade so the blade can be angled easily for pushing and pulling across the slab.

3 handle sections are included to allow reach of over 5.5m, additional handles can be added if required.



## Placer and Rake

These are not floats but as hand tools they are included in this section.

These tools speed up the placing of concrete. They are designed to allow operators to push and pull wet concrete to the right levels, unlike a shovel which is designed for lifting. A concrete rake or placer can be up to five times faster and a lot less effort than a shovel.



## Technical Data

Model	Width (mm)	Depth (mm)	Total Handle Length (m)	Weight (Kg)
Easy Bull Float (c/w Swivel and Handles)	1200	200	5.4	9.6
Easy Bull Float (c/w Swivel, No Handles)	1200	200	N/A	6
Big Blue Float (c/w Swivel and Handles)	1200	300	5.4	14.7
Big Blue Float (c/w Swivel, No Handles)	1200	300	N/A	11.1
Fresno Broom (c/w Swivel and Handles)	900	220	5.4	8.4
Fresno Broom (c/w Swivel, No Handles)	900	220	N/A	8.4
Concrete Placer	495	115	N/A	2
Concrete Rake	570	130	N/A	2

The Floats and Hand Tools are used to smooth and improve the surface of the concrete. Just twist the long handle and swivel head angles the blade for pushing and pulling across the surface.

Below are all models which are included in our Floats and Hand Tools range:-

## Floats

### ***Bull Float***

The Bull Float includes a lightweight Magnesium Alloy blade with reinforcement to prevent warping. There are rounded corners on the float head to reduce 'track marks' when floating and the robust heavy duty design is ideal for tough site conditions and rental fleets.



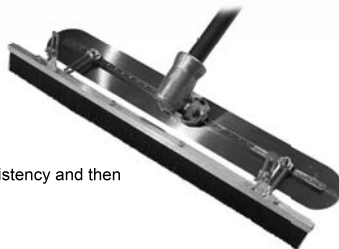
### ***Big Blue***

The Big Blue includes a tempered 'blue' steel blade that achieves an ultra fine finish. Extra rounded corners on the float head prevent 'track marks' when floating and the 'sprung' steel blade glides over concrete even when still reasonably wet.



### ***Fresno Broom***

The Fresno Broom is a special combination float for applying a consistent brushed 'non slip' finish to concrete. The broom attachment is 'floated' across the concrete surface using a steel blade. It is pushed over the concrete to improve surface consistency and then pulled back across to apply the brush finish. A Softer brush is also available as a spare part.



## Hand Tools

### ***Concrete Placer***

The Concrete Placer is a special 'rake' style tool that makes it easy to drag concrete when slab pouring. It includes a Double edge blade - One side is for moving high volumes of material and the other for small surface adjustments. This reduces the effort required compared to using conventional rakes and shovels. Can also be used as a small surface tamper.



### ***Concrete Rake***

The Concrete Rake is a special 'rake' style tool that makes it easy to drag concrete when slab pouring. It includes a Double edge blade - One side is for moving high volumes of material and the other for small surface adjustments. This reduces the effort required compared to using conventional rakes and shovels. Can also be used as a small surface tamper.





## Warranty

Your new Belle Group 'Floats and Hand Tools' are warranted to the original purchaser for a period of one-year (12 months) from the original date of purchase. The Belle Group warranty is against defects in design, materials and workmanship.

The following are not covered under the Belle Group warranty:

1. Damage caused by abuse, misuse, dropping or other similar damage caused by or as a result of failure to follow assembly, operation or user maintenance instructions.
2. Alterations, additions or repairs carried out by persons other than Belle Group or their recognised agents.
3. Transportation or shipment costs to and from Belle Group or their recognised agents, for repair or assessment against a warranty claim, on any machine.
4. Materials and/or labour costs to renew, repair or replace components due to fair wear and tear.

Belle Group and/or their recognised agents, directors, employees or insurers will not be held liable for consequential or other damages, losses or expenses in connection with or by reason of or the inability to use the machine for any purpose.

### Warranty Claims

All warranty claims should firstly be directed to Belle Group, either by telephone, by Fax, by Email, or in writing.

#### For warranty claims:

Belle Group Warranty Department,  
Unit 5, Bode Business Park  
Ball Haye Green  
Leek  
Staffordshire  
ST13 6BW.  
England.

Tel : +44 (0)1538 380000

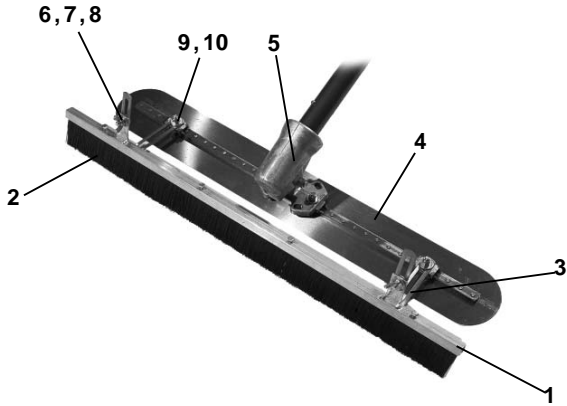
Fax : +44 (0)1538 380038

Email : [warranty@belle-group.co.uk](mailto:warranty@belle-group.co.uk)

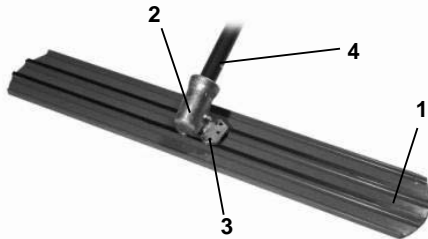


# Floats

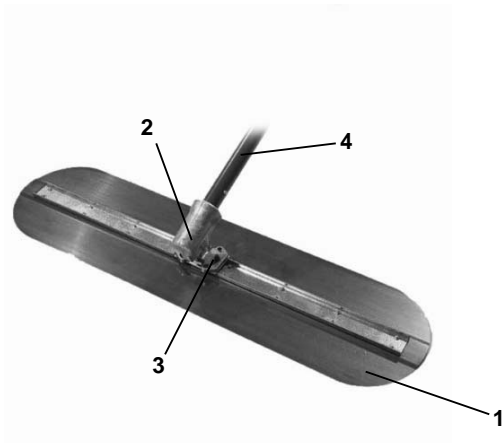
## Fresno Broom



## Bull Float



## Big Blue





# Floats

## Fresno Broom

Item (1) Number	Part No. (2)	Description (3)	Quantity (4)
1	50003	Replacement Strip	1
2	50008	Spare Brush	1
3	50005	Mounting Brackets	2
4	50006	Spare Blade	1
5	50000	Knuckle Head	1
6	00.0.861	Coach Bolt	2
7	01.0.200	Wing Nut	2
8	05.7.060	Repair Washer	2
9	05.7.068	Washer	4
10	01.4.100	Nyloc Nut	4
	50020	Single Handle	1
	50011	Set of 3 Handles	1
	50041	Fresno Broom Brush and Blade	1
	50012	Handle Clip	1
	50013	Male Connector (c/w Handle Clip)	1

## Bull Float

Item (1) Number	Part No. (2)	Description (3)	Quantity (4)
1	50021	Bull Float Blade	1
2	50000	Knuckle Head	1
3	02.4.037	Setscrew	2
4	50010	Single Handle	1
	50011	Set of 3 Handles	1
	50012	Handle Clip	1
	50013	Male Connector (c/w Handle Clip)	1

## Big Blue

Item (1) Number	Part No. (2)	Description (3)	Quantity (4)
1	50031	Big Blue Blade	1
2	50000	Knuckle Head	1
3	01.4.002	Nut	2
4	50010	Single Handle	1
	50011	Set of 3 Handles	1
	50012	Handle Clip	1
	50013	Male Connector (c/w Handle Clip)	1

(1) Item Number / numero sur le schéma / número de la ilustración / número da ilustração / afbeeldingsnummer / tegningsnummeret / Teil-Nummer / numero dell'illustrazione

(2) Part Number / Numéro de référence de la pièce / número de pieza / número da parte / stuknummer / Styknummer / Nummer auf der Abbildung / numero di parte

(3) Description / Désignation / Descripción / Descrição / Omschrijving / Beskrivelse / Bezeichnung / Descrizione

(4) Quantity / Quantité / Cantidad / Cantidade / Hoeveelheid / Mengen / Mængde / Quantità



# No.1 for Light Construction Equipment

[www.BelleGroup.com](http://www.BelleGroup.com)

## Belle Group Head Office

Sheen, nr. Buxton  
Derbyshire. SK17 OEU GB.  
Tel: +44 (0)1298 84000  
Fax: +44 (0)1298 84722  
email: [sales@belle-group.co.uk](mailto:sales@belle-group.co.uk)

## Belle Group France

70, av du Général de Gaulle  
94022 Creteil, Cedex.  
FRANCE  
Tel: +33 (0) 1 49 81 68 32  
Fax: +33 (0) 1 43 39 94 40  
Ventes : 0800 902 461  
SAV : 0800 905 336  
SAV Fax : 0800 909 895

## Belle Equipos SL

Calle Doctor Calero Cial 19,  
Local 22, 28220 Majadahonda  
Madrid, Spain  
Tel: +34 (0) 91 636 2043  
Fax: +34 (0) 91 634 1535  
email: [belleequipos@belleequipos.com](mailto:belleequipos@belleequipos.com)

## Belle Group Deutschland

Husumer Straße 45 a,  
D-33729,  
Bielefeld  
Deutschland  
Tel : +49(0) 5217 707505  
Fax : +49 (0) 5217 707506  
Sales: 0800 1808069  
Spares: 0800 1816673

## Belle Poland sp. z.o.o.

96-200 Rawa Mazowiecka  
Ul. Mszczonowska 36,  
Polska  
Tel: +48 (0) 46 8144091  
Fax: +48 (0) 46 8144700

## Belle Group Portugal

Rua Laura Alves, 225, 2º F  
2775-116 Parede  
Portugal  
Tel: +35 1 (21) 453 59 91  
Fax: +35 1 (21) 453 59 91

## Belle Group Netherlands

Tel: 0800 249861

## Belle Group Belgium

Tel: 0800 80295

## Belle Group Austria

Tel: 0800 291544

## Belle Group Russia

64 Nevsky pr.  
St, Petersburg  
Russia  
Tel : +7(812)314-81-34  
Moscow : +7(495)589-64-32

## Belle Group South East Asia

21, Jalan Ara AD 7/3B,  
Pandar Sri Damansara  
S2200 Kuala Lumpur, Malaysia  
Tel: +60 (0) 3 62721678  
+60 (0) 3 6272 9308  
Fax: +60 (0) 3 6272 9528

## Belle Group (GB), Shanghai Office

Room 213, Zhonghuang Building,  
1007 Zhongshan Nan Er Road,  
Xuhui, Shanghai 200030 China  
Tel: 00 - 86 - 21 - 5461 5228  
Mobile: 00 - 86 - 133 8172 2653  
Fax: 00 - 86 - 21 - 5461 5369  
email: [morgan.liu@bellegroup.com.cn](mailto:morgan.liu@bellegroup.com.cn)

## Belle Group Inc

3959 Electric Rd  
Suite 360  
Roanoke  
VA 24018. USA.  
Tel: +1.540.345.5090  
Fax: +1.540.345.5091  
Toll free 866 540 5090  
e-mail: [sales@bellegroup.net](mailto:sales@bellegroup.net)



## Belle Group World Parts Centre

Unit 5, Bode Business Park  
Ball Haye Green,  
Leek,  
Staffordshire,  
ST13 8BW  
Tel: 44+ 1538 380000  
Fax: 44+ 1538 380038

[www.BelleGroup.com](http://www.BelleGroup.com)

No.1 for Light Construction Equipment



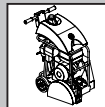
COMPACTING...



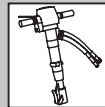
MIXING...



CONCRETING...



CUTTING...



BREAKING...



MOVING