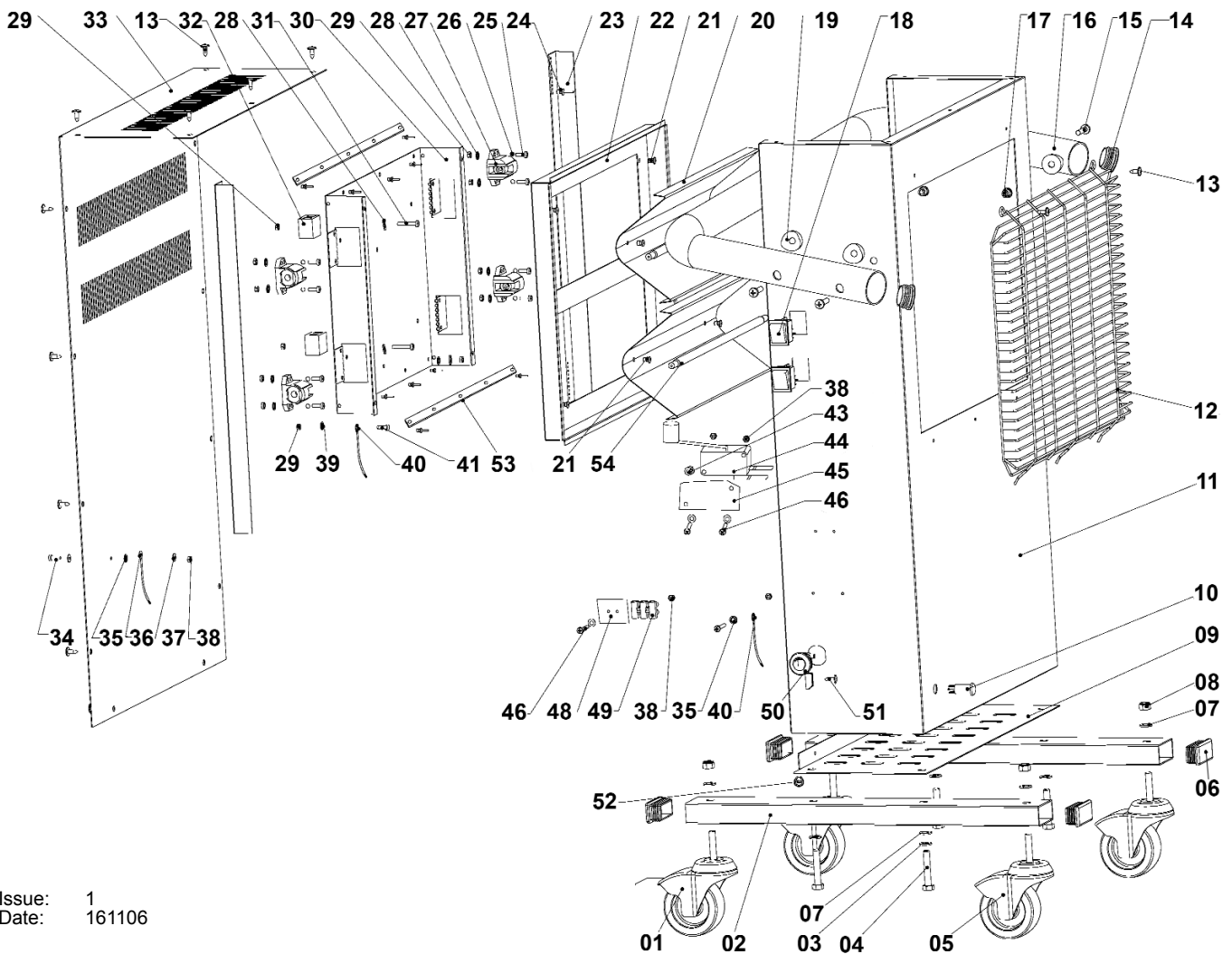


# SEALEY

# POWER PRODUCTS

PARTS FOR:  
**INFRARED HEATER**  
**IRC153.V4**



Issue: 1  
Date: 161106

Item	Part No.	Description
1	IRC153.V3-01	CASTOR WHEEL (REAR) c/w BRAKE
2	IRC153.V3-02	LEG SUPPORT
3	IRC153.V3-03	SPRING WASHER
4	IRC153.V3-04	SCREW
5	IRC153.V3-05	CASTOR WHEEL (FRONT)
6	IRC153.V3-06	RUBBER CAP
7	IRC153.V3-07	WASHER
8	IRC153.V3-08	SCREW
9	IRC153.V3-09	BASE, MAIN BODY
10	IRC153.V3-10	LIGHT
11	IRC153.V3-11	MAIN FRAME
12	IRC153.V3-12	GRILLE
13	IRC153.V3-13	SCREW FOR GRILLE
14	IRC153.V3-14	RUBBER CAP FOR HANDLE
15	IRC153.V3-15	SCREW
16	IRC153.V3-16	TUBULAR HANDLE
17	IRC153.V3-17	SCREW
18	IRC153.V3-18	ON/OFF SWITCH
19	IRC153.V3-19	CURVED WASHER FOR HANDLE
20	IRC153.V3-20	LAMP REFLECTOR
21	IRC153.V3-21	SCREW
22	IRC153.V3-22	INSIDE FRAME FOR REFLECTOR
23	IRC153.V3-23	LONG BLOCK FOR SPRING
24	IRC153.V4-24	SCREW 4x8mm
25	IRC153.V3-25	SCREW
26	IRC153.V3-26	WASHER

Item	Part No.	Description
27	IRC153.V3-27	LAMP HOLDER
28	IRC153.V3-28	SPRING WASHER
29	IRC153.V3-29	SCREW
30	IRC153.V3-30	ELECTRICAL FIXING BLOCK
31	IRC153.V3-31	SCREW
32	IRC153.V3-32	CERAMIC WIRE BLOCK
33	IRC153.V3-33	REAR FRAME
34	IRC153.V3-34	SCREW
35	IRC153.V3-35	WASHER
36	IRC153.V3-36	EARTHING WIRE
37	IRC153.V3-37	WASHER
38	IRC153.V3-38	SCREW
39	IRC153.V3-39	STAR WASHER
40	IRC153.V3-40	EARTH WIRE
41	IRC153.V3-41	SCREW
43	IRC153.V3-43	SPRING WASHER
44	IRC153.V3-44	TILT SWITCH
45	IRC153.V3-45	ISOLATION FOR SWITCH
46	IRC153.V3-46	SCREW
48	IRC153.V3-48	ISOLATION FOR TERMINAL BLOCK
49	IRC153.V3-49	TERMINAL BLOCK
50	IRC153.V3-50	ROUND PLASTIC PROTECTOR FOR MAINS CABLE
51	IRC153.V3-51	SCREW
52	IRC153.V3-52	SCREW
53	IRC153.V4-53	METAL SUPPORT
54	INF64241565	RED SATIN QUARTZ INFRA RED (240v 1500wat)

**SEALEY** **POWER PRODUCTS**

Sole UK Distributor  
Sealey Group,  
Bury St. Edmunds, Suffolk.

01284 757500  
01284 703534

[www.sealey.co.uk](http://www.sealey.co.uk)  
[sales@sealey.co.uk](mailto:sales@sealey.co.uk)