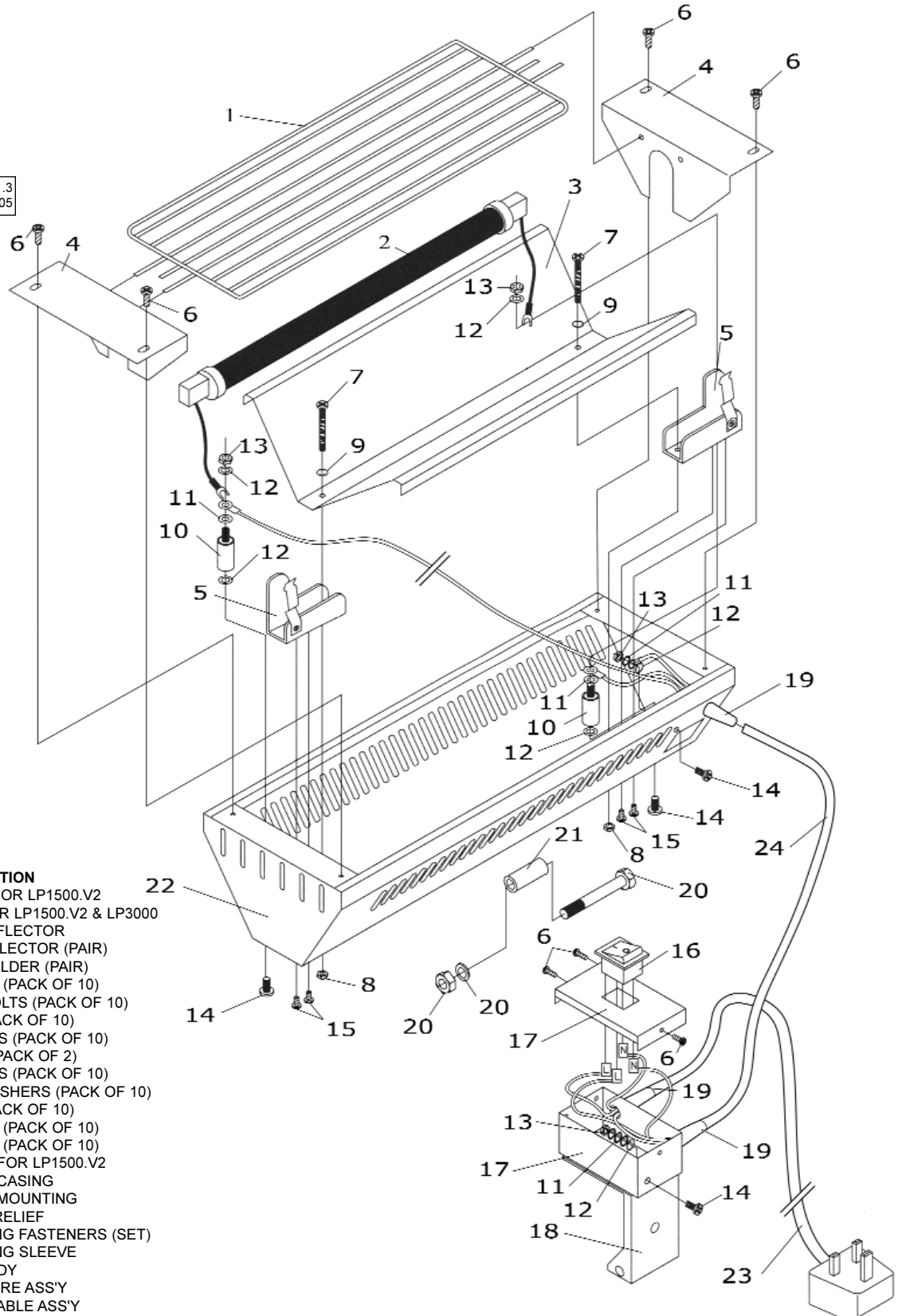


Issue:3
 Issue Date: ...141205



ITEM	PART NO.	DESCRIPTION
1	LP1500.V2-G	GUARD FOR LP1500.V2
2	INF64241530	LAMP FOR LP1500.V2 & LP3000
3	IWMH1500.MR	MAIN REFLECTOR
4	LP1500.V2-ER	END REFLECTOR (PAIR)
5	LP1500.V2-LH	LAMP HOLDER (PAIR)
6	LP1500.V2-260	SCREWS (PACK OF 10)
7	LP1500.V2-410	LONG BOLTS (PACK OF 10)
8	IWMH1500.401	NUTS (PACK OF 10)
9	IWMH1500.403	WASHERS (PACK OF 10)
10	LP1500.V2-P	PILLAR (PACK OF 2)
11	IWMH4500.502	WASHERS (PACK OF 10)
12	IWMH1500.503	STAR WASHERS (PACK OF 10)
13	IWMH1500.501	NUTS (PACK OF 10)
14	IWMH1500.511	SCREWS (PACK OF 10)
15	LP1500.V2-280	SCREWS (PACK OF 10)
16	LP1500.V2-SW	SWITCH FOR LP1500.V2
17	LP1500.V2-SC	SWITCH CASING
18	LP1500.V2-SM	SWITCH MOUNTING
19	LP1500.V2-SR	STRAIN RELIEF
20	LP1500.V2-MF	MOUNTING FASTENERS (SET)
21	LP1500.V2-MS	MOUNTING SLEEVE
22	LP1500.V2-MB	MAIN BODY
23	LP1500.V2-IWA	INPUT WIRE ASS'Y
24	IWMH1500.CA	MAINS CABLE ASS'Y